

DNQ06MF (Fe Mg) for home appliances No Plate No Cover

2023/03/22

Overview



dia. 57 × L33 DC Brushless motor outer rotor type

Motor Type : 3 Phase DC Brushless Motor

Direction of Rotation : CW and CCW

Control-Driver circuit built-in.

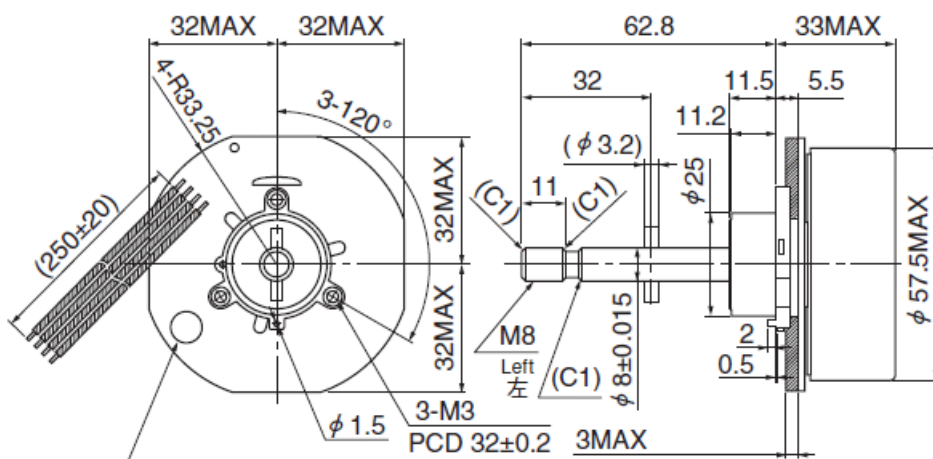
Compact, Light Weight and High Output

High Efficiency

Low Noise

Overcurrent and Locked Rotor Protection

Overall View



DNQ06MF (Fe Mg) for home appliances No Plate
No Cover

2023/03/22

CAPACITOR / 電解コンデンサ
φ6.3 高さ / Height 8.5MAX

DEPTH 4.5

ELECTRICAL COMPONENTS IN AREA

電子部品実装領域
Except electrolytic capacitor
但し、電解コンデンサは除く

Specifications

Operating Voltage Min. [VDC]	21.6
Operating Voltage Nom. [VDC]	24
Operating Voltage Max. [VDC]	26.4
Operating Speed Min. [min-1]	300
Operating Speed Nom. [min-1]	1000
Operating Speed Max. [min-1]	3000
Continuous Rating Power Nom. [W]	5
Continuous Rating Power Max. [W]	11
Operating Temperature Min. [deg.C]	0
Operating Temperature Max. [deg.C]	50
Operating Humidity Min. [%RH]	15
Operating Humidity Max. [%RH]	90
Motor Weight Nom.	250

DNQ06MF (Fe Mg) for home appliances No Plate No Cover

2023/03/22

nom.	250
[g]	

Please contact our sales for detail specification & order lot QTY. (All custom product by customer's requirement)

Property

