

DNQ10MF (Fe Mg) for home appliances With Plate No Cover

2023/03/22

Overview



dia. 57 × L36 DC Brushless motor outer rotor type

Motor Type : 3 Phase DC Brushless Motor

Direction of Rotation : CW and CCW

Control-Driver circuit built-in.

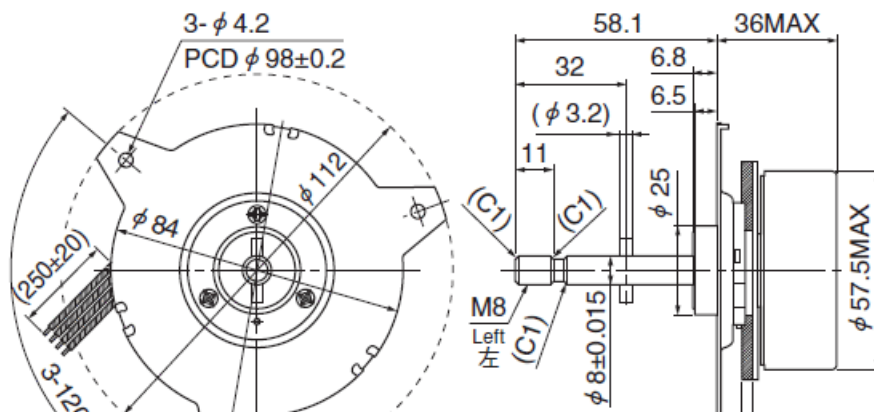
Compact, Light Weight and High Output

High Efficiency

Low Noise

Overcurrent and Locked Rotor Protection

Overall View



ミネベアミツミ株式会社

Copyright©MinebeaMitsumi Inc. All right reserved.

DNQ10MF (Fe Mg) for home appliances With Plate
No Cover

2023/03/22



3MAX 1.2

ELECTRICAL COMPONENTS IN AREA
電子部品実装領域
Except electrolytic capacitor
但し、電解コンデンサは除く

Specifications

Operating Voltage Min. [VDC]	21.6
Operating Voltage Nom. [VDC]	24
Operating Voltage Max. [VDC]	26.4
Operating Speed Min. [min-1]	300
Operating Speed Nom. [min-1]	1000
Operating Speed Max. [min-1]	3000
Continuous Rating Power Nom. [W]	10
Continuous Rating Power Max. [W]	15
Operating Temperature Max. [deg.C]	50
Operating Humidity Min. [%RH]	15
Operating Humidity Max. [%RH]	90
Motor Weight Nom. [g]	300

DNQ10MF (Fe Mg) for home appliances With Plate No Cover

2023/03/22

Please contact our sales for detail specification & order lot QTY. (All custom product by customer's requirement)

Property

