

## DNQ12MF (Fe Mg)

2023/03/22

## Overview



dia. 57 × L32 DC Brushless motor outer rotor type

Motor Type : 3 Phase DC Brushless Motor

Direction of Rotation : CW and CCW

Control-Driver circuit built-in.

Compact, Light Weight and High Output

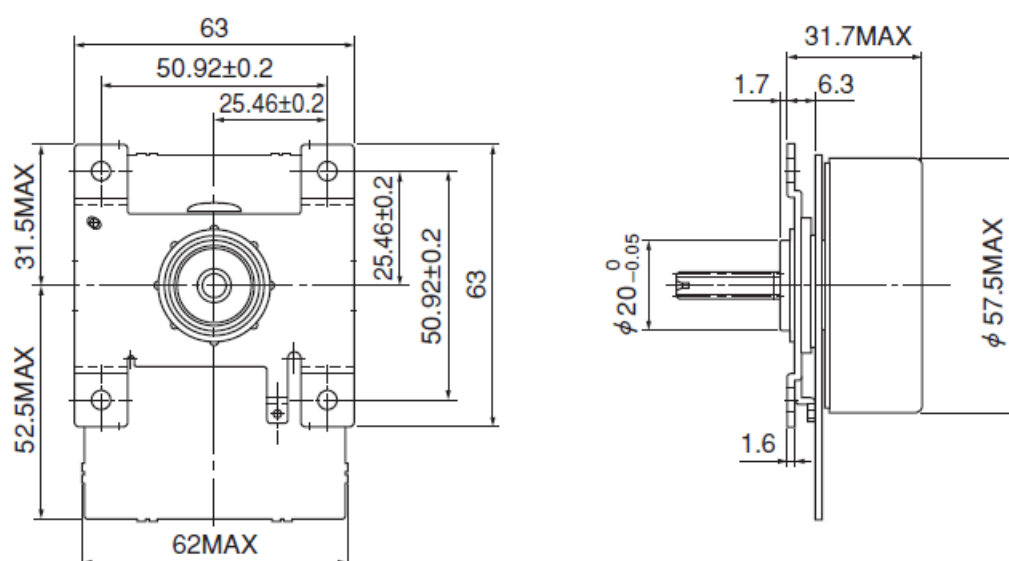
High Efficiency

Low Noise

Overcurrent and Locked Rotor Protection

The gear machined output, shaft type is available as an option.

## Overall View



## DNQ12MF (Fe Mg)

2023/03/22

## Specifications

Operating Voltage Min. [VDC]	21.6
Operating Voltage Nom. [VDC]	24
Operating Voltage Max. [VDC]	26.4
Operating Speed Min. [min-1]	600
Operating Speed Max. [min-1]	3000
Continuous Rating Power Max. [W]	30
Rotor Inertia (Reference Value) Nom. [g · cm <sup>2</sup> ]	556
Operating Temperature Min. [deg.C]	0
Operating Temperature Nom. [deg.C]	20
Operating Temperature Max. [deg.C]	50
Operating Humidity Min. [%RH]	15
Operating Humidity Max. [%RH]	90
Motor Weight Max. [g]	290

Please contact our sales for detail specification & order lot QTY. (All custom product by customer's requirement)

# DNQ12MF (Fe Mg)

2023/03/22

## Property

