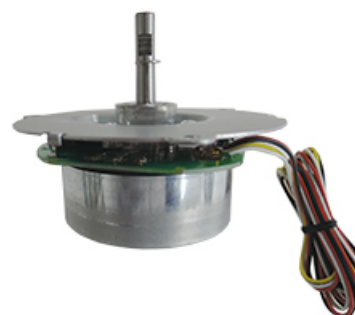


DNQ18HF (Fe Mg) for home appliances With Plate No Cover

2023/03/22

Overview



Ⓐ dia. 70 × L42 DC Brushless motor outer rotor type

Ⓑ dia. 92 × L45 DC Brushless motor outer rotor type

Motor Type : 3 Phase DC Brushless Motor

Direction of Rotation : CW and CCW

Control-Driver circuit built-in.

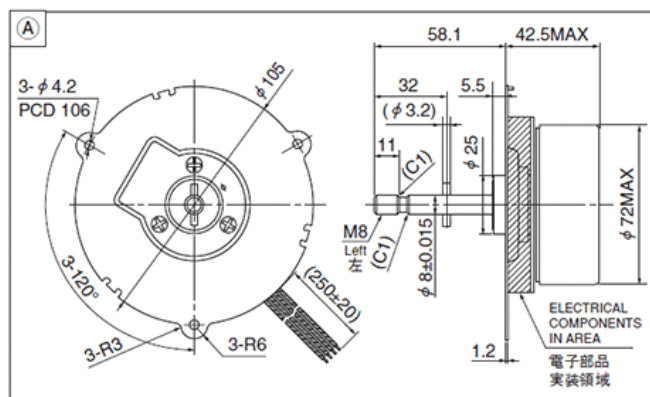
Compact, Light Weight and High Output

High Efficiency

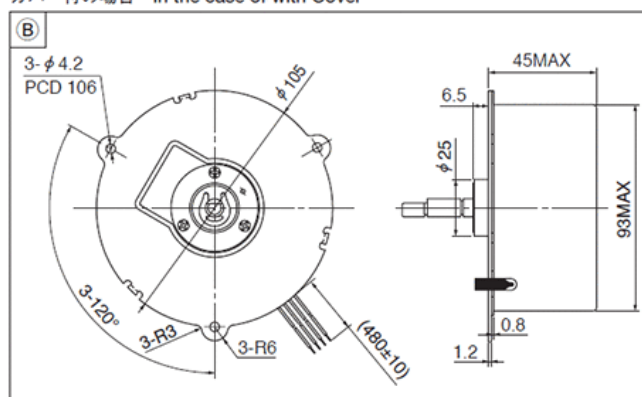
Low Noise

Overcurrent and Locked Rotor Protection

Overall View



カバー付の場合 In the case of with Cover



**DNQ18HF (Fe Mg) for home appliances With Plate
No Cover**

2023/03/22

Specifications

Operating Voltage Min. [VDC]	21.6
Operating Voltage Nom. [VDC]	24
Operating Voltage Max. [VDC]	26.4
Operating Speed Min. [min-1]	200
Operating Speed Max. [min-1]	3000
Continuous Rating Power Max. [W]	30
Operating Temperature Min. [deg.C]	0
Operating Temperature Nom. [deg.C]	20
Operating Temperature Max. [deg.C]	50
Operating Humidity Min. [%RH]	15
Operating Humidity Max. [%RH]	90
Motor Weight Max. [g]	700

Please contact our sales for detail specification & order lot QTY. (All custom product by customer's requirement)

Property

DNQ18HF (Fe Mg) for home appliances With Plate No Cover

2023/03/22

