

DNQ18HF (Fe Mg) for home appliances With Plate With Cover With anti-vibration rubber

2023/03/22

Overview



dia. 92.5(max dia. 105) × L44.5 DC Brushless motor outer rotor type

ⓑ dia. 92 × L45 DC Brushless motor outer rotor type

Motor Type : 3 Phase DC Brushless Motor

Direction of Rotation : CW and CCW

Control-Driver circuit built-in.

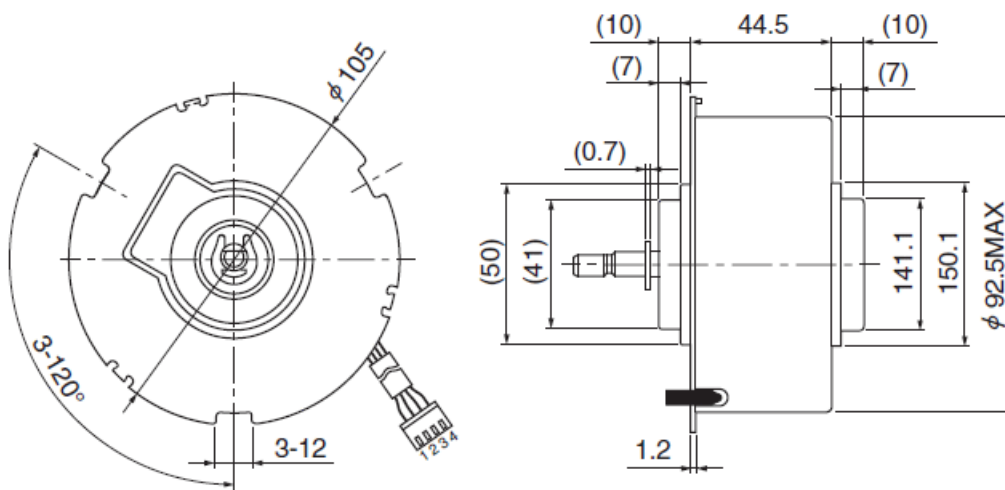
Compact, Light Weight and High Output

High Efficiency

Low Noise

Overcurrent and Locked Rotor Protection

Overall View



**DNQ18HF (Fe Mg) for home appliances With Plate
With Cover With anti-vibration rubber**

2023/03/22

Specifications

Operating Voltage Min. [VDC]	21.6
Operating Voltage Nom. [VDC]	24
Operating Voltage Max. [VDC]	26.4
Operating Speed Min. [min-1]	300
Operating Speed Max. [min-1]	3000
Continuous Rating Power Max. [W]	30
Operating Temperature Min. [deg.C]	0
Operating Temperature Max. [deg.C]	50
Operating Humidity Min. [%RH]	15
Operating Humidity Max. [%RH]	90
Motor Weight Max. [g]	700

Property**DNQ18HF TYPE S-T curve**

ミネベアミツミ株式会社

Copyright©MinebeaMitsumi Inc. All right reserved.

DNQ18HF (Fe Mg) for home appliances With Plate With Cover With anti-vibration rubber

2023/03/22

