

DNQ18H (Nd Mg) for home appliances

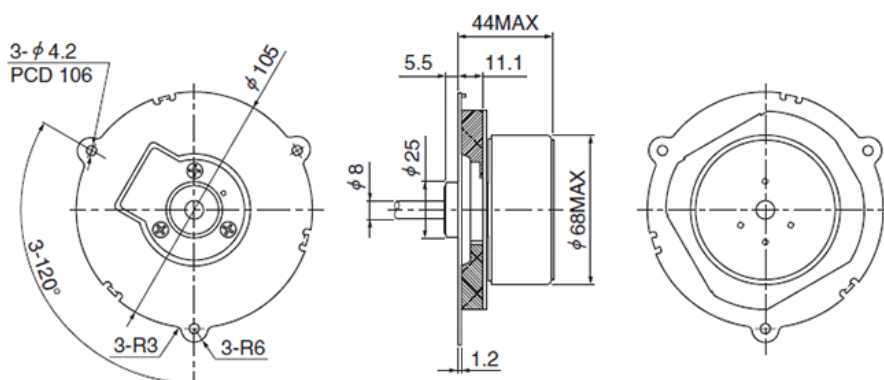
2023/03/22

Overview



- dia. 68 × L45 DC Brushless motor outer rotor type
- ⓑ dia. 92 × L45 DC Brushless motor outer rotor type
- Motor Type : 3 Phase DC Brushless Motor
- Direction of Rotation : CW and CCW
- Control-Driver circuit built-in.
- Compact, Light Weight and High Output
- High Efficiency
- Low Noise
- Overcurrent and Locked Rotor Protection

Overall View



- Connection / 接続
Lead wire / リード線
- Interface / インターフェイス
- Power Supply ... 24V
- GND
- Input Speed Control Signal (PWM or CLK) / 速度指令入力端子

Specifications

ミネベアミツミ株式会社

Copyright©MinebeaMitsumi Inc. All right reserved.

DNQ18H (Nd Mg) for home appliances

2023/03/22

Operating Voltage Min. [VDC]	21.6
Operating Voltage Nom. [VDC]	24
Operating Voltage Max. [VDC]	26.4
Operating Speed Min. [min-1]	300
Operating Speed Nom. [min-1]	1000
Operating Speed Max. [min-1]	2000
Continuous Rating Power Max. [W]	69
Operating Temperature Min. [deg.C]	0
Operating Temperature Max. [deg.C]	50
Operating Humidity Min. [%RH]	15
Operating Humidity Max. [%RH]	90