

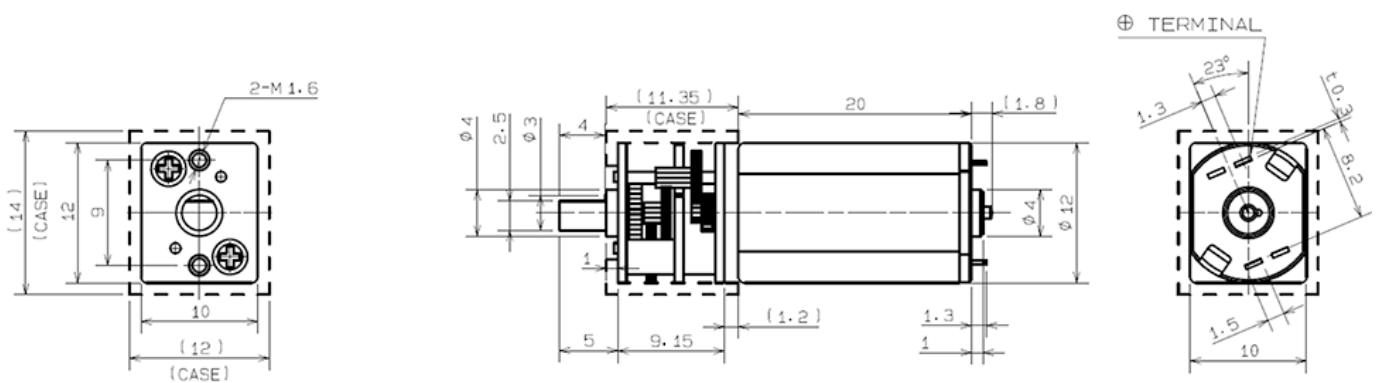
M1G10

2023/03/22

Overview



Overall View



Specifications

Model	Rated Voltage [V]	No load speed [min ⁻¹]	No Load Current [mA]	Rated Load [gf·cm]	Rated Load [mN·m]	Rated Load Speed [min ⁻¹]
M1G10FB10NB	5.0	695	36.0	51.00	5.00	567
M1G10FB10NF	5.0	129	36.0	153.00	15.00	114
M1G10FB10NK	5.0	44	36.0	153.00	15.00	42

Rated Load	Max Rated	Max Rated	Starting	Starting	Gear	Weight
------------	-----------	-----------	----------	----------	------	--------

ミネベアミツミ株式会社

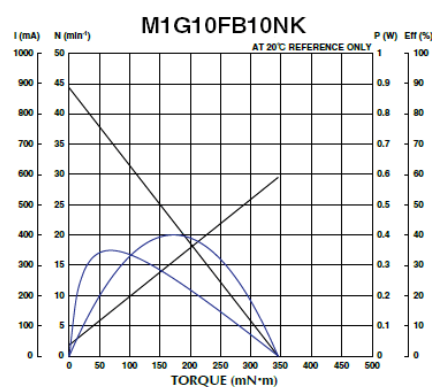
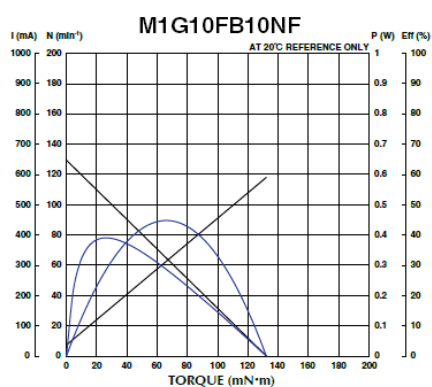
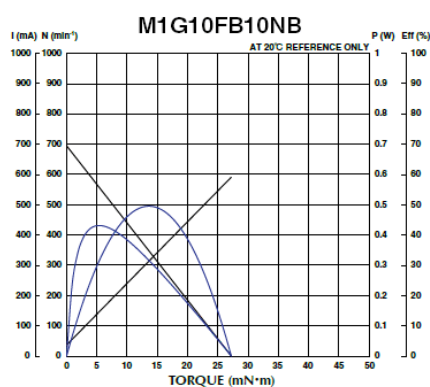
Copyright©MinebeaMitsumi Inc. All right reserved.

M1G10

2023/03/22

Model	Current [mA]	Load Torque [gf·cm]	Load Torque [mN·m]	Torque [gf·cm]	Torque [mN·m]	Ratio	~ [g]
M1G10FB10NB	138	92.500	9.1	278.00	27.00	1:19	13.0
M1G10FB10NF	100	255.000	25.0	1348.00	132.00	1:102	13.0
M1G10FB10NK	60	255.000	25.0	3520.00	345.00	1:298	13.0

Characteristics



NOTE

The final appearance shape and characteristics need to be discussed.