

M1N6

2023/03/22

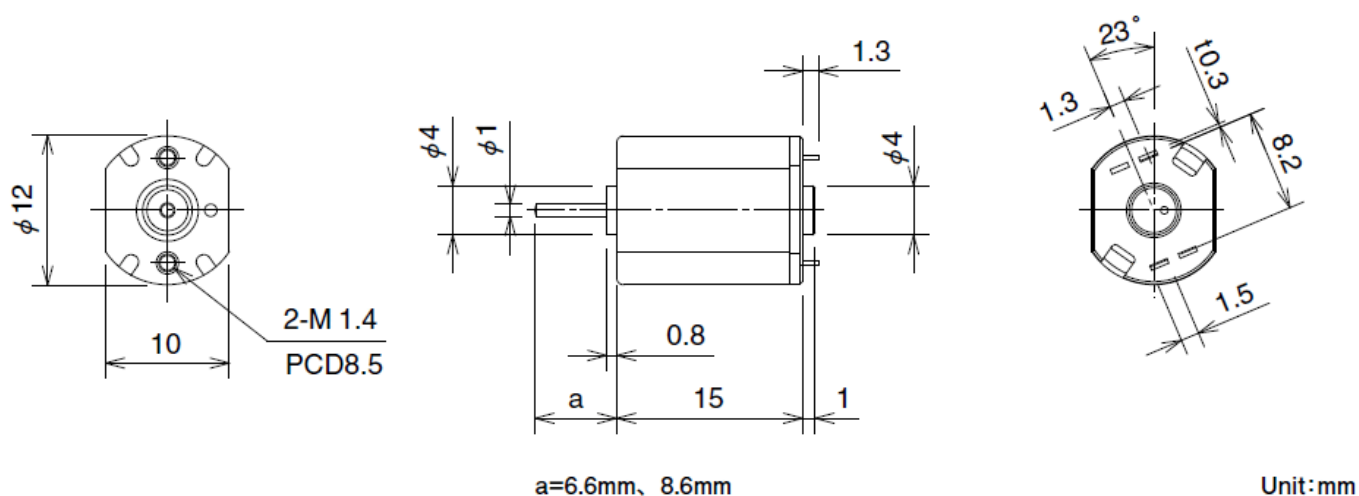
Overview



Shape : Flat

Shaft Length : a = 6.6mm, 8.6mm

Overall View



Specifications

Model	Operating Voltage lower limit [V]	Operating Voltage upper limit [V]	Rated Voltage [V]	No load speed [min-1]	No Load Current [mA]	Rated Load [gf·cm]

M1N6

2023/03/22

M1N6FB08C	1.0	5.0	5.0	14100	30.0	2.00	
M1N6GB95F	1.0	5.0	5.0	15700	35.0	2.00	
Model	Rated Load [mN · m]	Rated Load Speed [min-1]	Rated Load Current [mA]	Starting Torque [gf·cm]	Starting Torque [mN · m]	Starting current [mA]	Shaft Length [mm]
M1N6FB08C	0.20	11600	91	11.20	1.10	366	6.6
M1N6GB95F	0.20	13786	108	16.70	1.64	637	8.6

Characteristics

