

M22E-14

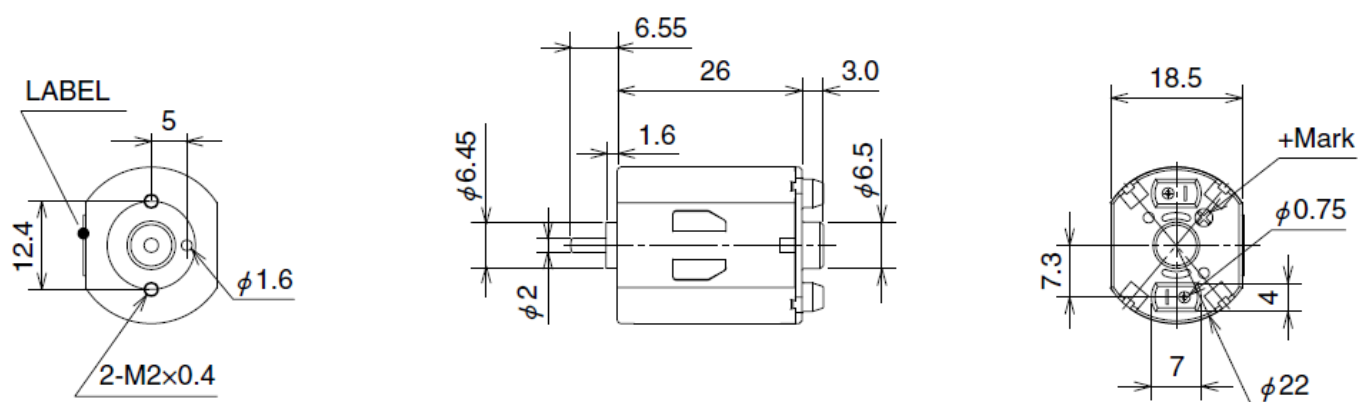
2023/03/22

Overview



Shape : Square

Overall View



Unit:mm

Specifications

Model	Operating Voltage lower limit [V]	Operating Voltage upper limit [V]	Rated Voltage [V]	No load speed [min-1]	No Load Current [mA]	Rated Load [gf·cm]

M22E-14

2023/03/22

M22E-14	2.5	4.0	3.6	9300	155.0	19.40
Model	Rated Load [mN · m]	Rated Load Speed [min-1]	Rated Load Current [mA]	Starting Torque [gf·cm]	Starting Torque [mN · m]	Starting current [mA]
M22E-14	1.90	8200	650	164.00	16.10	6000

*Characteristics and the shaft length can be customized.

Characteristics

