

M25N-1

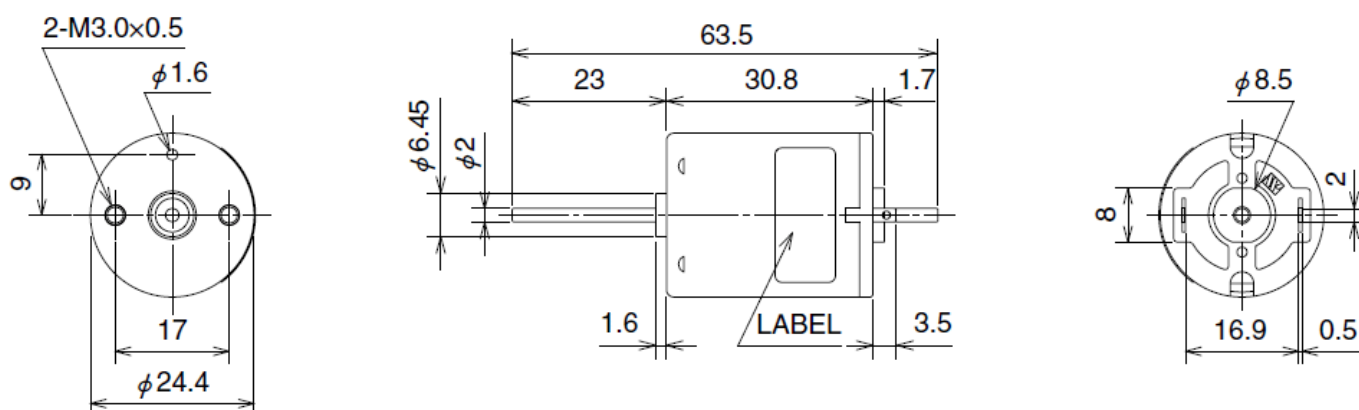
2023/03/22

Overview



Shape : Round

Overall View



Unit:mm

Specifications

Model	Operating Voltage lower limit [V]	Operating Voltage upper limit [V]	Rated Voltage [V]	No load speed [min ⁻¹]	No Load Current [mA]	Rated Load [gf·cm]
M25N-1①	12.0	24.0	12.0	5500	35.0	31.60

M25N-1

2023/03/22

M25N-1②	12.0	35.0	28.0	16000	70.0	100.00
Model	Rated Load [mN · m]	Rated Load Speed [min-1]	Rated Load Current [mA]	Starting Torque [gf · cm]	Starting Torque [mN · m]	Starting current [mA]
M25N-1①	3.10	4500	193	164.00	16.10	938
M25N-1②	9.80	12115	694	412.00	40.40	2642

*Characteristics and the shaft length can be customized.

Characteristics

