

M25N-2

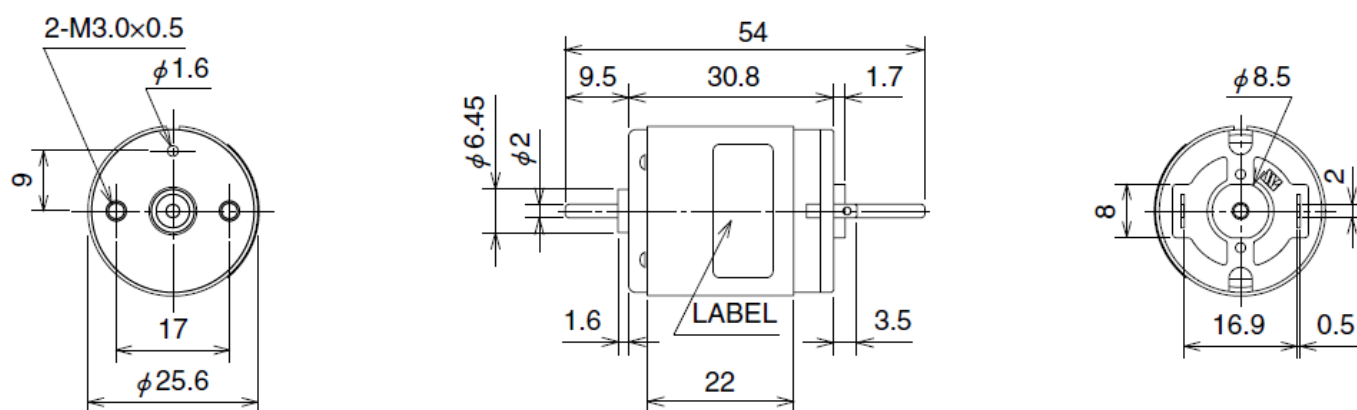
2023/03/22

Overview



Shape : Round

Overall View



Unit:mm

Specifications

Model	Operating Voltage lower limit [V]	Operating Voltage upper limit [V]	Rated Voltage [V]	No load speed [min-1]	No Load Current [mA]	Rated Load [gf·cm]

M25N-2

2023/03/22

M25N-2	12.0	34.0	31.0	11000	65.0	239.00
Model	Rated Load [mN · m]	Rated Load Speed [min-1]	Rated Load Current [mA]	Starting Torque [gf · cm]	Starting Torque [mN · m]	Starting current [mA]
M25N-2	23.40	7163	983	685.00	67.10	2696

*Characteristics and the shaft length can be customized.

Characteristics

