

M36N-3E

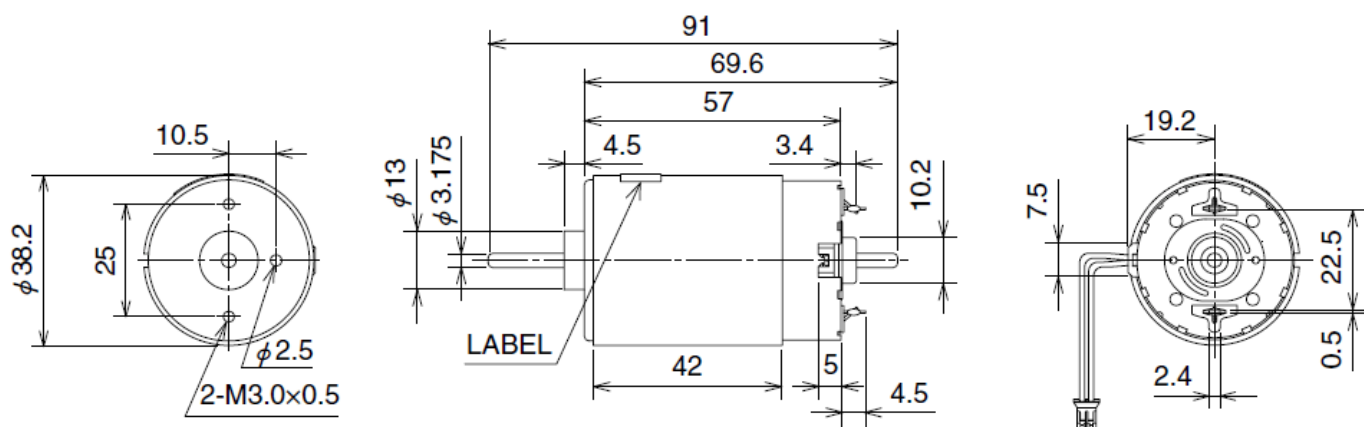
2023/03/22

Overview



Shape : Round

Overall View



Unit:mm

Specifications

Model	Operating Voltage lower limit [V]	Operating Voltage upper limit [V]	Rated Voltage [V]	No load speed [min-1]	No Load Current [mA]	Rated Load [gf·cm]
M36N-3E	12.0	27.0	24.0	3300	70.0	691.00

M36N-3E

2023/03/22

Model	Rated Load [mN · m]	Rated Load Speed [min ⁻¹]	Rated Load Current [mA]	Starting Torque [gf·cm]	Starting Torque [mN · m]	Starting current [mA]
M36N-3E	67.70	2378	1051	2473.00	242.00	3582

*Characteristics and the shaft length can be customized.

Characteristics

