

M36N-4E

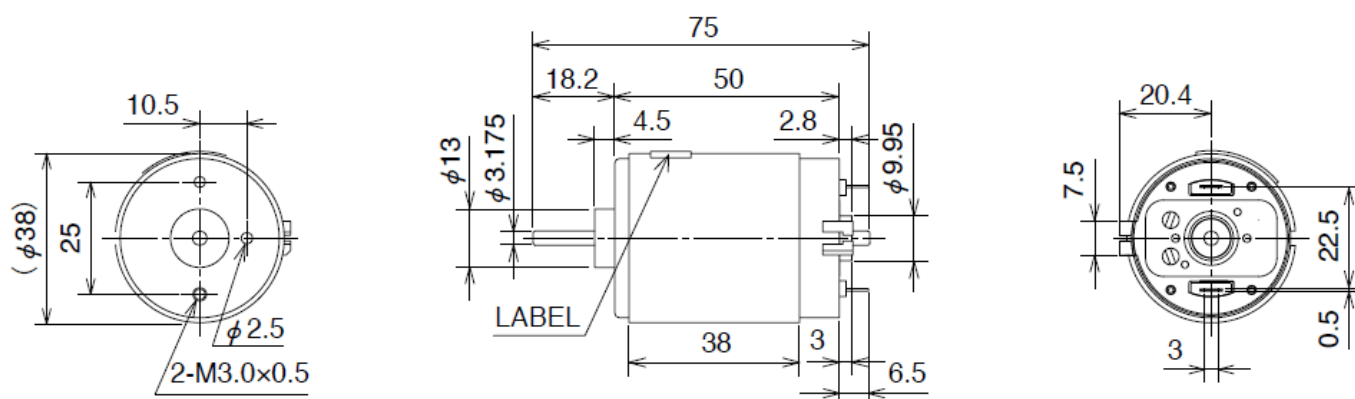
2023/03/22

Overview



Shape : Round

Overall View



Unit:mm

Specifications

Model	Operating Voltage lower limit [V]	Operating Voltage upper limit [V]	Rated Voltage [V]	No load speed [min ⁻¹]	No Load Current [mA]	Rated Load [gf·cm]
M36N-	12.0	26.4	22.6	3000	110.0	555.00

M36N-4E

2023/03/22

4E①	12.0	28.0	24.0	10300	250.0	343.00
M36N-4E②	12.0	28.0	24.0	10300	250.0	343.00

Model	Rated Load [mN · m]	Rated Load Speed [min-1]	Rated Load Current [mA]	Starting Torque [gf · cm]	Starting Torque [mN · m]	Starting current [mA]
M36N-4E①	54.40	2935	1082	2243.00	220.00	4036
M36N-4E②	33.60	9100	1806	2729.00	267.00	12631

*Characteristics and the shaft length can be customized.

Characteristics

