

M36N-5E

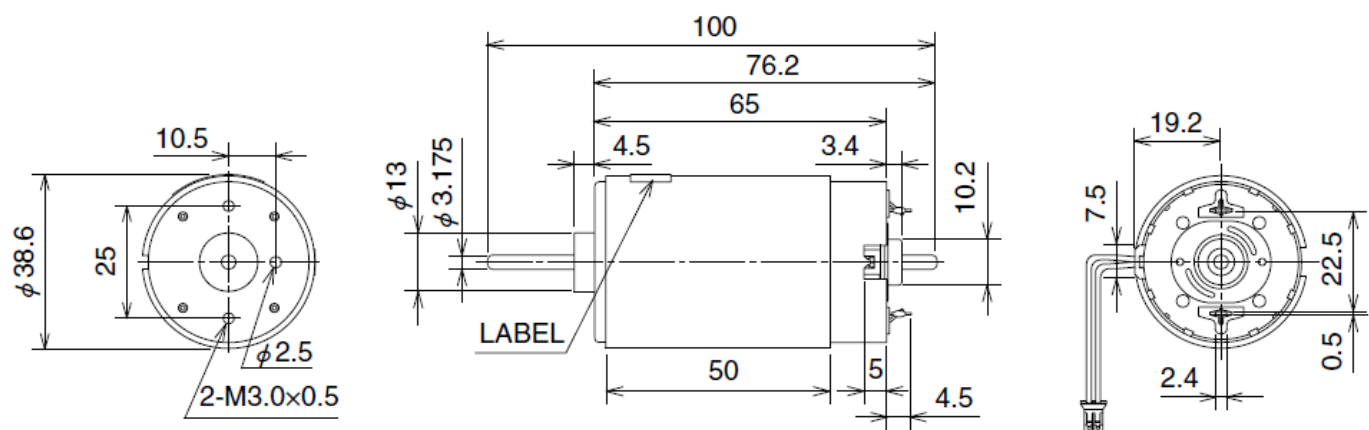
2023/03/22

Overview



Shape : Round

Overall View



Unit:mm

Specifications

Model	Operating Voltage lower limit [V]	Operating Voltage upper limit [V]	Rated Voltage [V]	No load speed [min ⁻¹]	No Load Current [mA]	Rated Load [gf·cm]
M36N-5E①	12.0	38.5	22.4	3100	80.0	561.00

M36N-5E

2023/03/22

M36N-5E②	12.0	27.0	24.0	3400	80.0	840.00
Model	Rated Load [mN · m]	Rated Load Speed [min-1]	Rated Load Current [mA]	Starting Torque [gf · cm]	Starting Torque [mN · m]	Starting current [mA]
M36N-5E①	55.00	2437	889	2624.00	257.00	3862
M36N-5E②	82.30	2546	1290	3343.00	328.00	4898

*Characteristics and the shaft length can be customized.

Characteristics

