

PAN14(Female Terminal)

2023/03/22

Overview

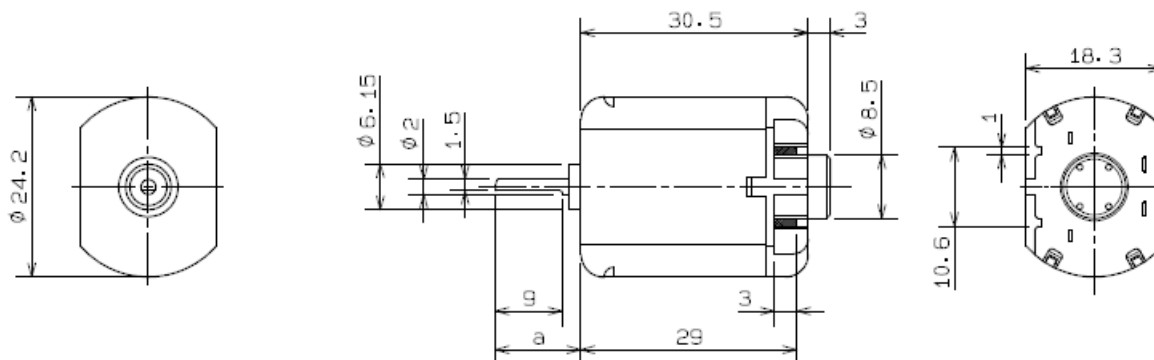


Shape : Flat

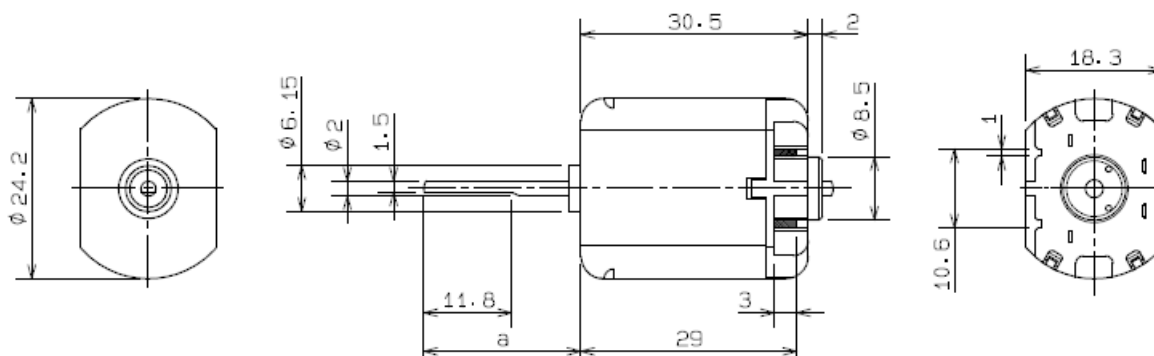
Shaft Length : a = 11.5 mm

Overall View

PAN14EE12BA2

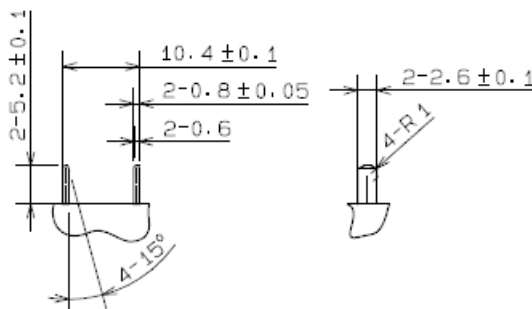


PAN14EE12DB



PAN14(Female Terminal)

2023/03/22

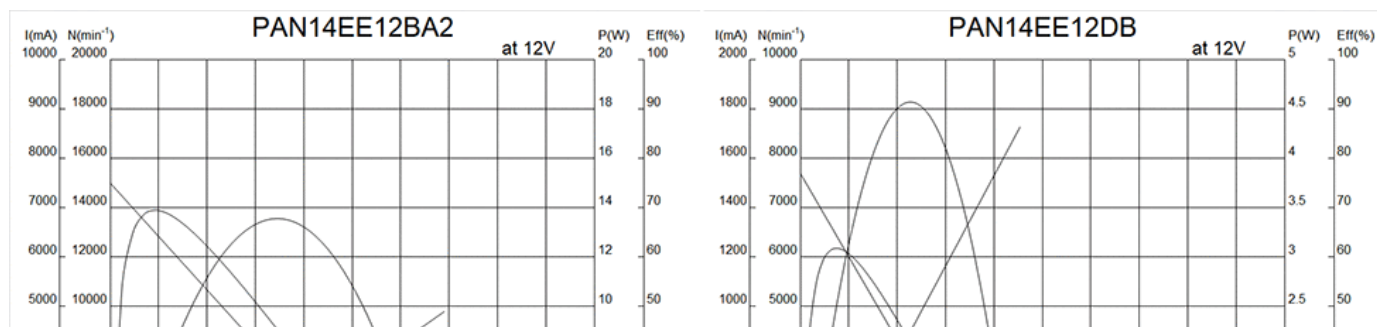


Specifications

Model	Operating Voltage lower limit [V]	Operating Voltage upper limit [V]	Rated Voltage [V]	No load speed [min-1]	No Load Current [mA]	Rated Load [gf·cm]
PAN14EE12BA2	9.0	16.0	12.0	14974	116.0	50.00
PAN14EE12DB	9.0	16.0	12.0	7683	66.0	50.00

Model	Rated Load [mN·m]	Rated Load Speed [min-1]	Rated Load Current [mA]	Starting Torque [gf·cm]	Starting Torque [mN·m]	Starting current [mA]
PAN14EE12BA2	4.90	12850	792	352.40	34.50	4878
PAN14EE12DB	4.90	6025	424	231.50	22.70	1726

Characteristics



PAN14(Female Terminal)

2023/03/22

