

PKN12

2023/03/22

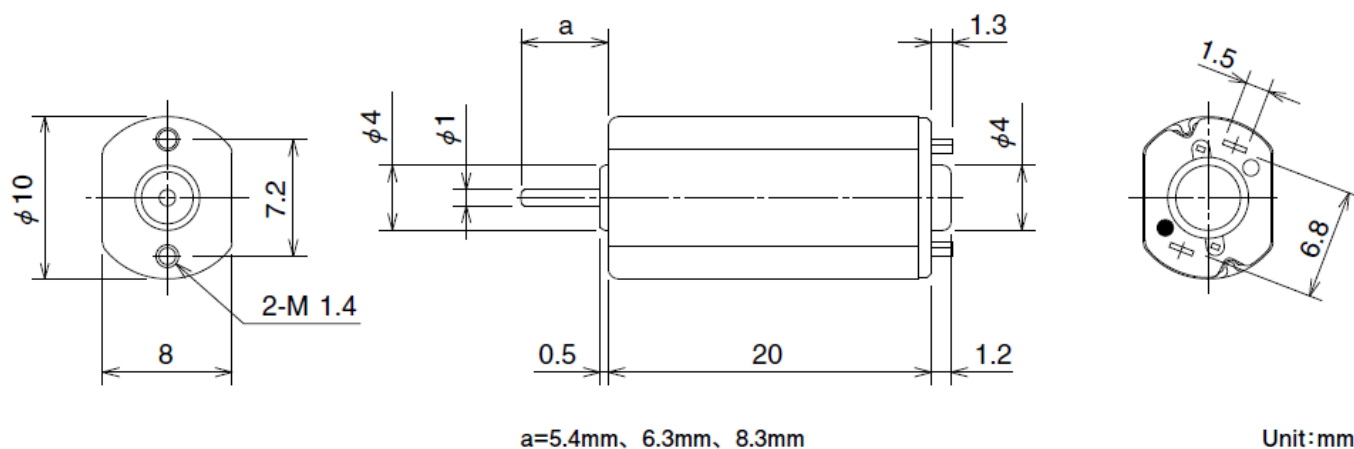
Overview



Shape : Flat

Shaft Length : a = 6.3mm

Overall View



Specifications

Model	Operating Voltage lower limit [V]	Operating Voltage upper limit [V]	Rated Voltage [V]	No load speed [min ⁻¹]	No Load Current [mA]	Rated Load [gf·cm]
PKN12EB105C	1.0	4.0	3.0	10023	25.0	2.00
PKN12FC10C	1.0	5.0	4.5	15140	31.0	2.00

PKN12

2023/03/22

Model	Rated Load [mN·m]	Rated Load Speed [min ⁻¹]	Rated Load Current [mA]	Starting Torque [gf·cm]	Starting Torque [mN·m]	Starting current [mA]	Shaft Length [mm]
PKN12EB105C	0.20	7796	102	9.20	0.90	370	5.4
PKN12EC10C	0.20	12700	105	12.50	1.23	500	6.3
PKN12EB110E	0.20	15300	130	15.50	1.52	711	8.3

Characteristics

