

## PKN7

2023/03/22

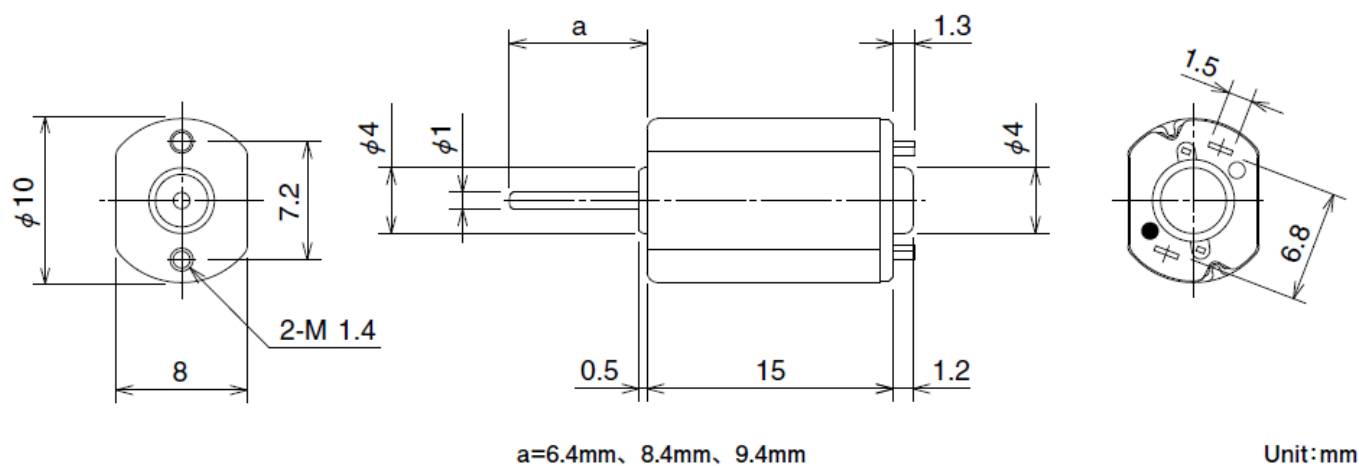
## Overview



Shape : Flat

Shaft Length : a = 6.4mm, 8.4mm, 9.4mm

## Overall View



## Specifications

Model	Operating Voltage lower limit [V]	Operating Voltage upper limit [V]	Rated Voltage [V]	No load speed [min <sup>-1</sup> ]	No Load Current [mA]	Rated Load [gf·cm]
PKN7EC70B	1.0	4.0	3.0	7787	11.0	1.00
PKN7FC85D	1.0	4.0	3.0	11231	18.0	1.00

# PKN7

2023/03/22

Model	Rated Load [mN·m]	Rated Load Speed [min <sup>-1</sup> ]	Rated Load Current [mA]	Starting Torque [gf·cm]	Starting Torque [mN·m]	Starting current [mA]	Shaft Length [mm]
PKN7EC10C	1.0	4.0	3.0	11251	10.0	1.00	
PKN7EB105C	1.0	4.0	3.0	15844	28.0	2.00	

Model	Rated Load [mN·m]	Rated Load Speed [min <sup>-1</sup> ]	Rated Load Current [mA]	Starting Torque [gf·cm]	Starting Torque [mN·m]	Starting current [mA]	Shaft Length [mm]
PKN7EC70B	0.10	5920	40	4.30	0.42	132	6.4
PKN7EC85D	0.10	9444	60	6.40	0.63	278	9.4
PKN7EC10C	0.20	11430	143	8.00	0.78	479	8.4
PKN7EB105C	0.20	12130	151	8.70	0.85	550	8.4

## Characteristics

