

# PNN13

2023/03/22

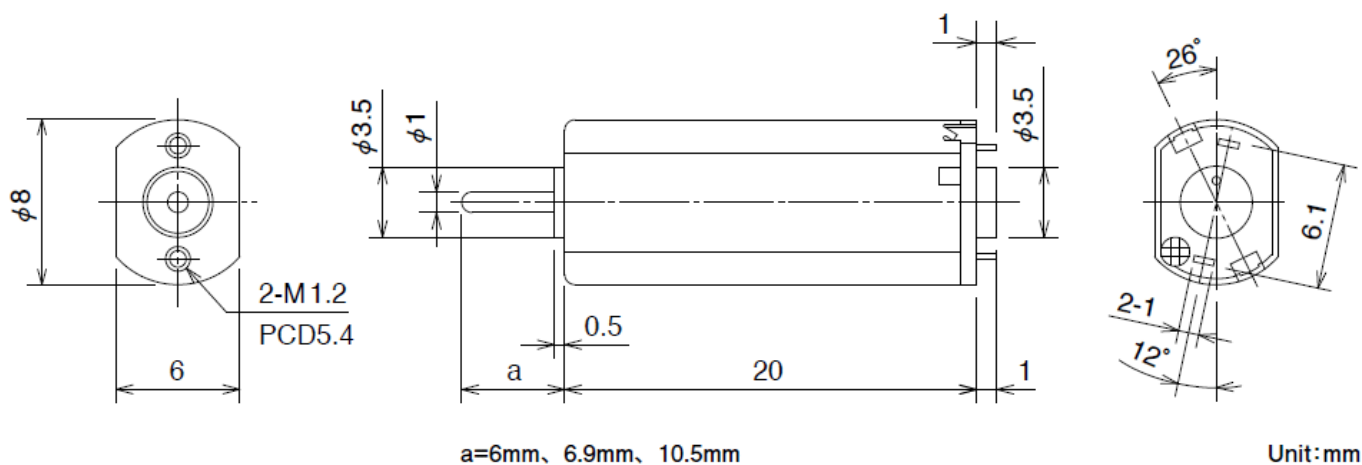
## Overview



Shape : Flat

Shaft Length : a = 6.0mm, 6.9mm

## Overall View



## Specifications

Model	Operating Voltage lower limit [V]	Operating Voltage upper limit [V]	Rated Voltage [V]	No load speed [min <sup>-1</sup> ]	No Load Current [mA]	Rated Load [gf·cm]
PNN13RB08RD	1.0	3.5	3.0	12213	32.0	1.50
PNN13RE85HD	1.0	3.5	3.0	13950	34.0	1.50

# PNN13

2023/03/22

Model	Rated Load [mN·m]	Rated Load Speed [min <sup>-1</sup> ]	Rated Load Current [mA]	Starting Torque [gf·cm]	Starting Torque [mN·m]	Starting current [mA]	Shaft Length [mm]
PNN13RE09JD	1.0	3.5	3.0	16426	42.0	1.50	
PNN13RB08RD	0.15	8540	106	5.10	0.50	280	6.9
PNN13RE85HD	0.15	10200	125	5.90	0.58	361	6.0
PNN13RE09JD	0.15	12500	145	6.50	0.64	467	10.5

## Characteristics

