

PPN7

2023/03/22

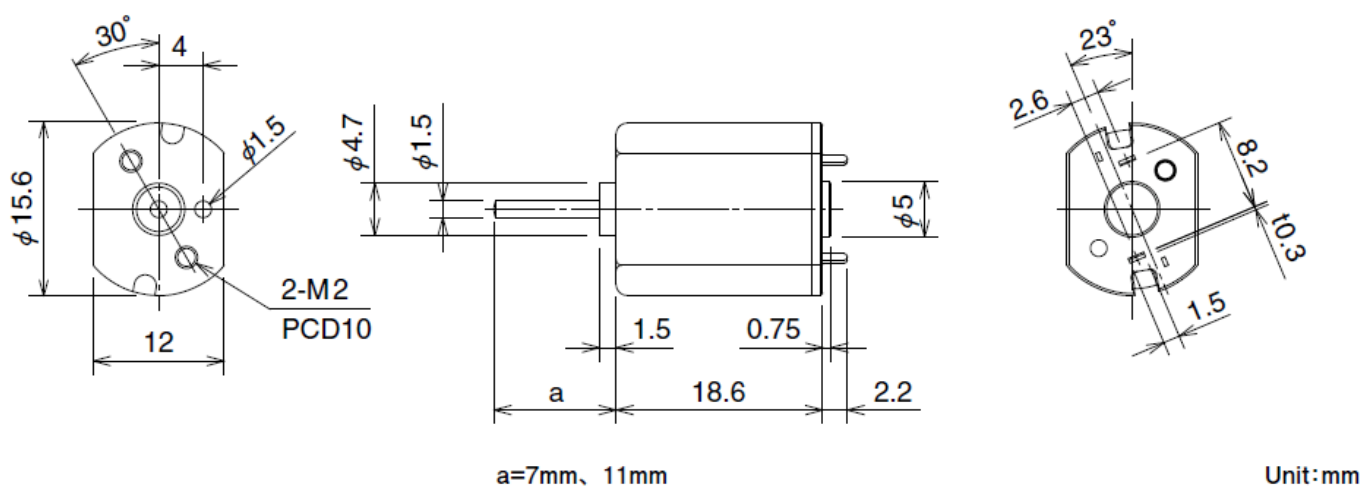
Overview



Shape : Flat

Shaft Length : a = 7mm, 11mm

Overall View



Specifications

Model	Operating Voltage lower limit [V]	Operating Voltage upper limit [V]	Rated Voltage [V]	No load speed [min-1]	No Load Current [mA]	Rated Load [gf·cm]

PPN7

2023/03/22

PPN7PA08B	2.0	7.0	2.5	3050	21.0	1.00
PPN7PA09C	2.0	7.0	6.0	10520	47.0	5.00
PPN7PA10C	2.0	7.0	6.0	12000	47.0	5.00
PPN7PA11B	2.0	7.0	5.0	12000	57.0	5.00
PPN7PA12C	2.0	7.0	5.0	14000	84.0	5.00

Model	Rated Load [mN · m]	Rated Load Speed [min ⁻¹]	Rated Load Current [mA]	Starting Torque [gf · cm]	Starting Torque [mN · m]	Starting current [mA]	Shaft Length [mm]
PPN7PA08B	0.10	2600	35	6.90	0.68	118	7.0
PPN7PA09C	0.49	8000	144	20.50	2.01	443	11.0
PPN7PA10C	0.49	9500	157	23.60	2.31	567	11.0
PPN7PA11B	0.49	9400	191	22.70	2.22	673	7.0
PPN7PA12C	0.49	11600	235	29.50	2.89	957	11.0

Characteristics

