

# SE15H

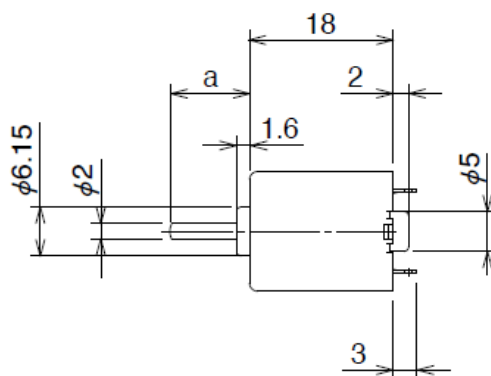
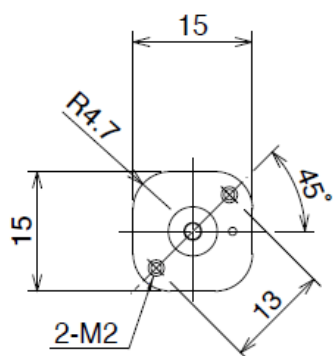
2023/03/22

## Overview

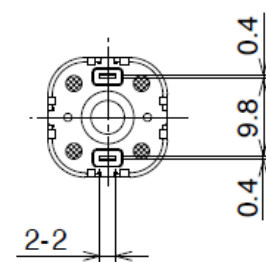


Shape : Square  
 Shaft Length : a = 14.8mm

## Overall View



a=13.4mm、14.8mm



Unit:mm

## Specifications

Model	Operating Voltage lower limit [V]	Operating Voltage upper limit [V]	Rated Voltage [V]	No load speed [min-1]	No Load Current [mA]	Rated Load [gf·cm]

# SE15H

2023/03/22

SE15H0RTY	8.0	13.0	12.0	5315	40.0	15.30	
SE15H0WTY	8.0	13.0	12.0	10200	80.0	20.40	
Model	Rated Load [mN·m]	Rated Load Speed [min-1]	Rated Load Current [mA]	Starting Torque [gf·cm]	Starting Torque [mN·m]	Starting current [mA]	Shaft Length [mm]
SE15H0RTY	1.50	3916	118	58.20	5.70	335	13.4
SE15H0WTY	2.00	8030	275	96.00	9.41	1000	13.4

## Characteristics

