

SE18M

2023/03/22

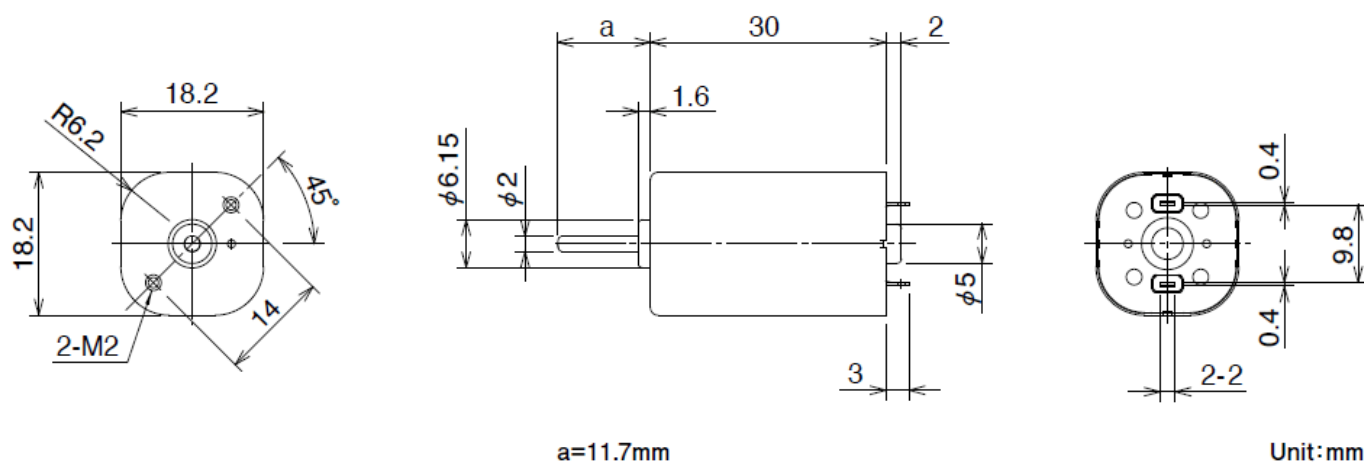
Overview



Shape : Square

Shaft Length : a = 11.7mm

Overall View



Specifications

Model	Operating Voltage lower limit [V]	Operating Voltage upper limit [V]	Rated Voltage [V]	No load speed [min ⁻¹]	No Load Current [mA]	Rated Load [gf·cm]
SE18M1ETY	8.0	13.0	12.0	3260	44.0	51.00

SE18M

2023/03/22

Model	Rated Load [mN · m]	Rated Load Speed [min-1]	Rated Load Current [mA]	Starting Torque [gf · cm]	Starting Torque [mN · m]	Starting current [mA]	Shaft Length [mm]
SE18M1LTY	8.0	13.0	12.0	5020	75.0	71.40	
SE18M1ETY	5.00	2675	190	285.00	27.90	858	11.7
SE18M1LTY	7.00	4210	395	440.00	43.20	2045	11.7

Characteristics

