

SE24M

2023/03/22

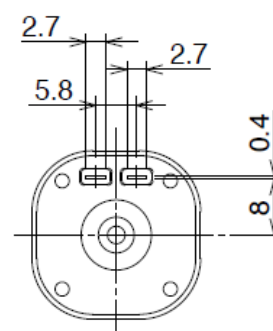
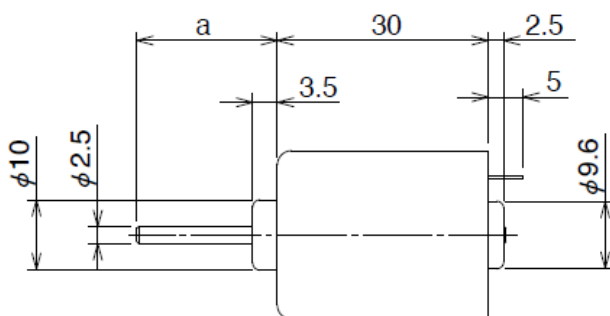
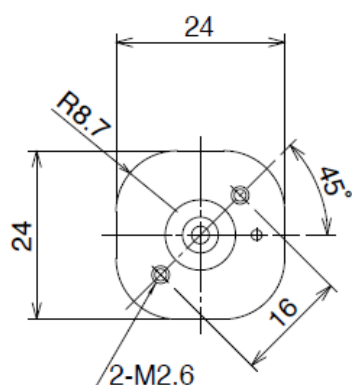
Overview



Shape : Square

Shaft Length : a = 15mm, 20mm, 25mm

Overall View



a=20mm

Unit:mm

Specifications

Model	Operating Voltage lower limit [V]	Operating Voltage upper limit [V]	Rated Voltage [V]	No load speed [min ⁻¹]	No Load Current [mA]	Rated Load [gf·cm]
SE24M1TTC	8.0	13.0	12.0	6433	159.0	102.00

SE24M

2023/03/22

Model	Rated Load [mN · m]	Rated Load Speed [min-1]	Rated Load Current [mA]	Starting Torque [gf · cm]	Starting Torque [mN · m]	Starting current [mA]	Shaft Length [mm]
SE24M1TTC	10.00	5046	772	473.00	46.40	3000	20.0

Characteristics

