

SE24P

2023/03/22

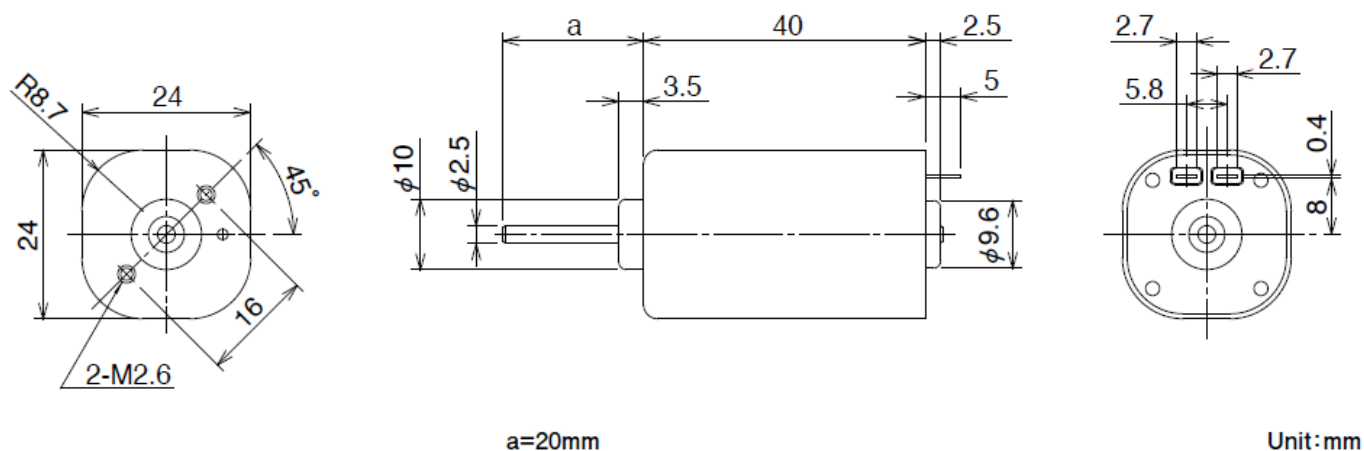
Overview



Shape : Square

Shaft Length : a = 15mm, 20mm, 25mm

Overall View



Specifications

Model	Operating Voltage lower limit [V]	Operating Voltage upper limit [V]	Rated Voltage [V]	No load speed [min-1]	No Load Current [mA]	Rated Load [gf·cm]
SE24P1JTC	20.0	26.0	24.0	3274	40.0	204.00
SE24P2JTC	20.0	26.0	24.0	7772	145.0	204.00

SE24P

2023/03/22

Model	Rated Load [mN · m]	Rated Load Speed [min-1]	Rated Load Current [mA]	Starting Torque [gf · cm]	Starting Torque [mN · m]	Starting current [mA]	Shaft Length [mm]
SE24P1JTC	20.00	2508	343	871.00	85.40	1335	20.0
SE24P2CTC	20.00	6843	850	1707.00	167.00	6047	20.0

Characteristics

