

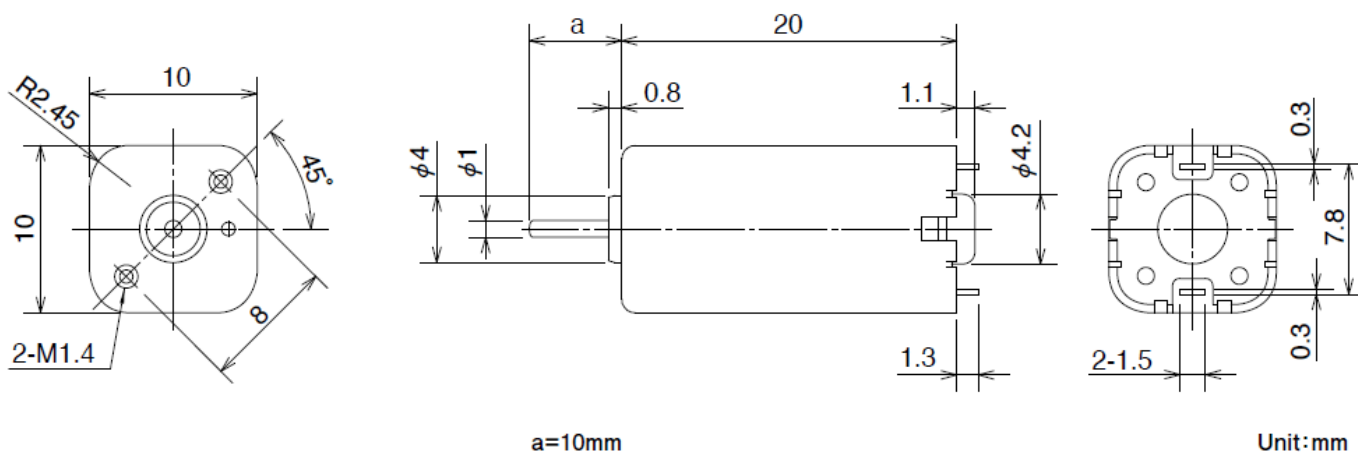
# SS10J

2023/03/22

## Overview



## Overall View



## Specifications

Model	Operating Voltage lower limit [V]	Operating Voltage upper limit [V]	Rated Voltage [V]	No load speed [min <sup>-1</sup> ]	No Load Current [mA]	Rated Load [gf·cm]
SS10J0TTT	2.0	9.0	8.0	9830	28.0	8.16

# SS10J

2023/03/22

Model	Rated Load [mN · m]	Rated Load Speed [min <sup>-1</sup> ]	Rated Load Current [mA]	Starting Torque [gf·cm]	Starting Torque [mN · m]	Starting current [mA]	Shaft Length [mm]
SS10J0TTT	0.80	7996	135	43.78	4.28	601	10.0

## Characteristics

