

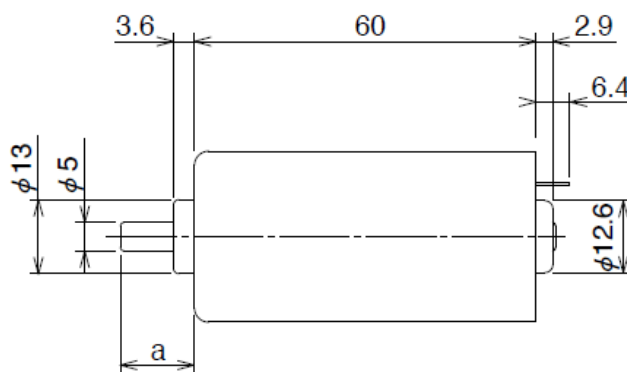
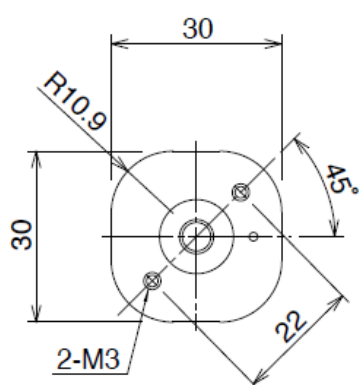
SV30R

2023/03/22

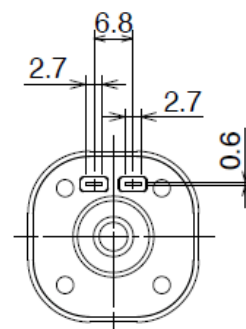
Overview



Overall View



a=13mm



Unit:mm

Specifications

Model	Operating Voltage lower limit [V]	Operating Voltage upper limit [V]	Rated Voltage [V]	No load speed [min ⁻¹]	No Load Current [mA]	Rated Load [gf·cm]
ST30R4LTC	8.0	13.5	12.0	6335	666.0	510.00
SV30R2VTC	21.6	26.4	24.0	5231	270.0	600.00

SV30R

2023/03/22

Model	Rated Load [mN · m]	Rated Load Speed [min ⁻¹]	Rated Load Current [mA]	Starting Torque [gf · cm]	Starting Torque [mN · m]	Starting current [mA]	Shaft Length [mm]
ST30R4LTC	50.00	5669	3611	4847.00	475.00	28661	13.0
SV30R2VTC	58.80	4465	1667	4092.00	401.00	9803	13.0

Characteristics

