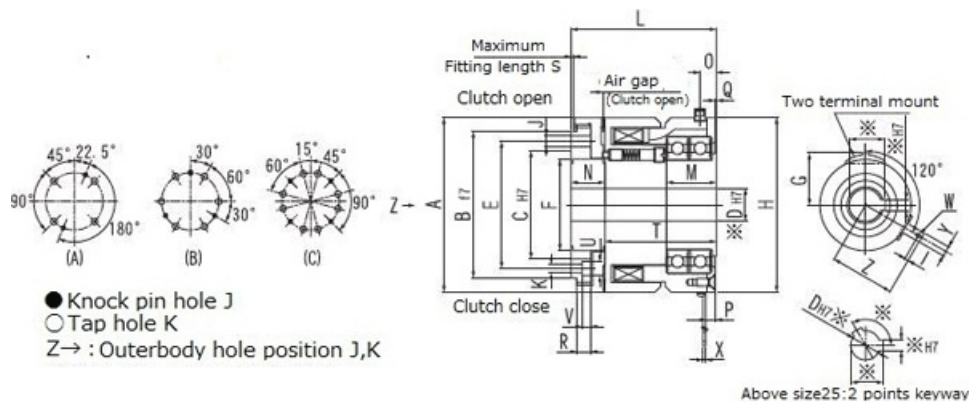


EZR Type

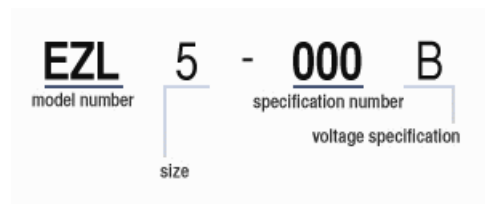
Electromagnetic toothed clutch

2023/03/22

Overall View



Part Number



Specifications

Model	Max Speed [min ⁻¹]	Weight [kg]	Torque [N·m]	Coil 20deg.C Voltage DC [V]	Coil 20deg.C Wattage [W]	Coil 20deg.C Current [A]
EZR5A	6000	2.80	50	24	17.0	0.71
EZR10A	5500	4.50	100	24	36.2	1.51
EZR16A	5000	6.00	160	24	38.3	1.60
EZR25A	4500	7.50	250	24	44.6	1.86
EZR40A	4000	11.00	400	24	53.3	2.22

EZR Type

Electromagnetic toothed clutch

2023/03/22

EZR63A	3500	15.00	630	24	73.0	3.04
EZR100A	3000	23.00	1000	24	72.7	3.03
EZR160A	2600	35.00	1600	24	102.5	4.27
EZR250A	2300	56.00	2500	24	141.0	5.87
EZR400A	2000	78.00	4000	24	188.0	7.82

Model	Air Gap Clutch Open [mm]
EZR5A	0.5
EZR10A	0.5
EZR16A	0.5
EZR25A	0.6
EZR40A	0.6
EZR63A	0.7
EZR100A	0.7
EZR160A	0.9
EZR250A	0.9
EZR400A	1.0

Diameter

Model	Diameter A [mm]	Diameter B f7 [mm]	Diameter C H7 [mm]	Diameter D max H7 [mm]	Diameter D Pilot Hole H7 [mm]	Diameter E [mm]
EZR5A	90	75	53	30	10	64
EZR10A	105	85	65	40	14	75
EZR16A	115	100	70	45	18	85
EZR25A	125	105	75	50	20	90
EZR40A	140	115	85	55	25	100
EZR63A	160	130	95	65	30	115
EZR100A	185	155	115	75	35	135
EZR160A	215	180	130	90	40	155
EZR250A	250	210	150	100	50	180
EZR400A	280	235	175	110	60	205

Model	Diameter F	Diameter H	Diameter J (Ream Hole)	Diameter K (Bolt Hole)	Diameter U (Spot facing Hole)	Diameter W
-------	------------	------------	------------------------	------------------------	-------------------------------	------------

EZR Type

Electromagnetic toothed clutch

2023/03/22

	[mm]	[mm]	[mm]	[mm]	[mm]	[mm]
EZR5A	49.0	90	2- ϕ 5	4-M5	ϕ 9	5.5
EZR10A	57.0	105	2- ϕ 5	4-M5	ϕ 9	5.5
EZR16A	62.0	115	2- ϕ 6	4-M6	ϕ 11	5.5
EZR25A	68.0	120	2- ϕ 8	4-M6	ϕ 11	5.5
EZR40A	74.0	140	3- ϕ 8	6-M6	ϕ 11	5.5
EZR63A	85.0	156	3- ϕ 8	6-M8	ϕ 15	5.5
EZR100A	97.0	185	3- ϕ 10	6-M8	ϕ 15	5.5
EZR160A	113.0	210	3- ϕ 10	6-M10	ϕ 18	5.5
EZR250A	130.0	230	4- ϕ 12	8-M12	ϕ 20	5.5
EZR400A	148.0	270	4- ϕ 12	8-M12	ϕ 20	5.5

Length

Model	Length G [mm]	Length I [mm]	Length L [mm]	Length M [mm]	Length N [mm]	Length O [mm]
EZR5A	53	10.0	81.0	34.0	16.5	13.0
EZR10A	60	10.0	89.0	36.0	19.0	13.0
EZR16A	63	10.0	103.0	40.0	21.5	13.0
EZR25A	65	10.0	107.0	40.0	25.0	13.0
EZR40A	75	10.0	120.0	45.0	28.0	14.0
EZR63A	84	10.0	139.0	49.0	33.0	15.0
EZR100A	102	10.0	154.0	53.0	36.0	17.0
EZR160A	110	10.0	179.0	62.0	42.0	17.0
EZR250A	124	10.0	200.0	62.0	49.0	17.0
EZR400A	144	10.0	238.0	72.0	55.0	18.0

Model	Length P [mm]	Length Q [mm]	Length R [mm]	Length S [mm]	Length T [mm]	Length V (Spot facing Depth) [mm]	Length X [mm]
EZR5A	6.0	1.0	9.0	2.0	64.5	6.0	3
EZR10A	6.0	1.0	10.5	2.0	70.0	6.0	3
EZR16A	6.0	1.0	12.5	2.0	81.5	7.2	3
EZR25A	6.0	1.0	15.5	2.5	82.0	7.2	3
EZR40A	7.0	1.0	17.0	2.5	92.0	7.2	3
EZR63A	8.0	1.0	19.5	3.0	106.0	9.4	3

EZR Type

Electromagnetic toothed clutch

2023/03/22

EZR100A	10.0	1.0	21.0	3.0	118.0	9.4	3
EZR160A	10.0	1.0	25.5	4.0	137.0	11.8	3
EZR250A	11.0	1.0	29.0	4.0	151.0	14.2	3
EZR400A	12.0	1.0	32.0	4.0	183.0	14.2	3

Model	Length Y [mm]	Length Z [mm]
EZR5A	10	142
EZR10A	10	150
EZR16A	10	154
EZR25A	10	157
EZR40A	10	167
EZR63A	10	175
EZR100A	10	190
EZR160A	10	202
EZR250A	10	212
EZR400A	10	233

Other Specifications

Model	Moment of Inertia J Armature Side [$\times 10^{-2} \text{kg} \cdot \text{m}^2$]	Moment of Inertia J Rotor Side [$\times 10^{-2} \text{kg} \cdot \text{m}^2$]
EZR5A	0.0600	0.0850
EZR10A	0.1375	0.1700
EZR16A	0.2250	0.3000
EZR25A	0.3500	0.4000
EZR40A	0.6750	0.7000
EZR63A	1.2500	1.5000
EZR100A	3.0000	3.2500
EZR160A	5.5000	6.7500
EZR250A	11.2500	13.0000
EZR400A	21.2500	21.7500

Notes

EZR Type

Electromagnetic toothed clutch

2023/03/22

1. Applied hole location on outer body is either of (A) EZR2A - 25A, (B) EZR40A - 160A (C) EZR250A・400A
2. Please indicate dimension of the part marked. (If nothing is indicated, product with prepared hole shall be delivered).
3. Since product with prepared knock pin hole is delivered, it shall be processed at assembly.