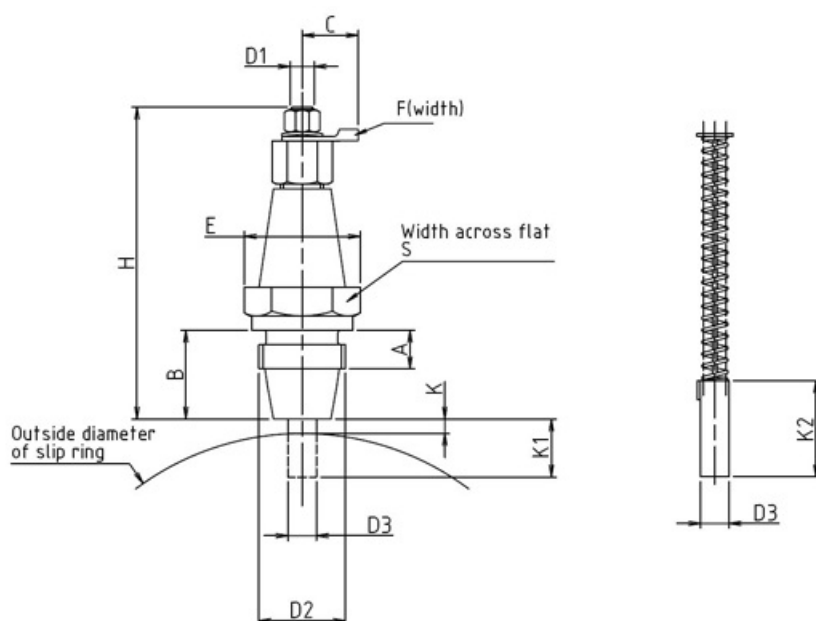


GR31-62

Brush holder and brush

2024/02/28

Overall View



Specifications

Model	Application	Brush holder	Brush maximum current [A]	Brush maximum speed [m/s]	Load of brush [N]	Brush mass [g]
Gr31	Dry type	Gr30	1.5	40	2.5	33.0
Gr32	Wet type	Gr30	1.5	6	10.0	33.5
Gr61	Dry type	Gr60	3.0	40	3.5	61.5
Gr62	Wet type	Gr60	3.0	12	20.0	64.0

Dimension

ミネベアミツミ株式会社

Copyright©MinebeaMitsumi Inc. All right reserved.

GR31-62

Brush holder and brush

2024/02/28

Model	dimension A [mm]	dimension B [mm]	dimension C [mm]	dimension D1	dimension D2	dimension D3
Gr31	7	15	11.7	M4	M14 P=1.5	4
Gr32	7	15	11.7	M4	M14 P=1.5	4
Gr61	8	19	11.7	M5	M18 P=1.5	6
Gr62	8	19	11.7	M5	M18 P=1.5	6

Model	dimension E	dimension F	dimension H	dimension K	dimension K1	dimension K2	dimension S
Gr31	19.6	2.4	54	3	10	16	17
Gr32	19.6	2.4	54	3	10	16	17
Gr61	24.2	2.4	65	3	16	20	21
Gr62	24.2	2.4	65	3	16	20	21

Notes

- 1.contact us when circumferential speed will be over than maximum speed.
- 2.when current will be over 3A or speed will be over 6m/s, it need 2 brushes with each slip rings.
- 3."mass" is included brush and brush holder.