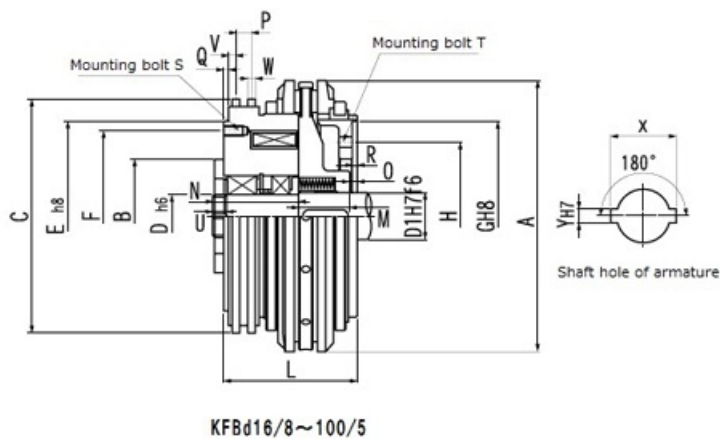
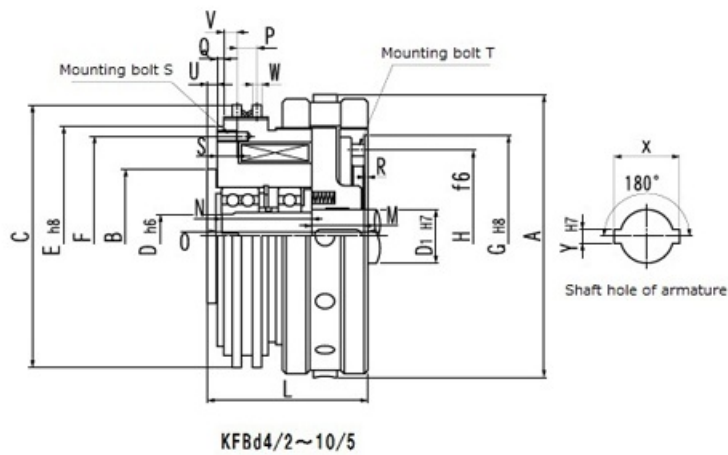


# KFBd Type

Single Disc Electromagnetic Clutch / Spring actuated Brake

2023/03/22

## Overall View



## Part Number

**KFBd**    **4/2**    -    **000**    **B**  
 model number    size    specification number    voltage specification

## KFBd Type

Single Disc Electromagnetic Clutch / Spring actuated Brake

2023/03/22

## Specifications

Model	Max Speed [min <sup>-1</sup> ]	Weight [kg]	Dynamic Clutch Torque [N·m]	Static Clutch Torque [N·m]	Dynamic Brake Torque [N·m]	Static Brake Torque [N·m]
KFBd4/2	1800	12.10	40	44	20	22
KFBd6.3/3	1800	15.30	63	70	30	33
KFBd10/5	1800	19.60	100	110	50	55
KFBd16/8	1800	35.00	60	180	80	88
KFBd25/12	1800	42.00	250	280	120	132
KFBd40/20	1800	63.00	400	440	200	220
KFBd63/30	1800	87.00	630	690	300	330
KFBd100/50	1800	139.00	1000	1100	500	550

Model	Coil 20deg.C Voltage DC [V]	Coil 20deg.C Wattage [W]	Coil 20deg.C Current [A]	Brush Size	Air Gap Clutch on [mm]	Air Gap Clutch off [mm]
KFBd4/2	24	48.0	1.99	Gr05	0.5	1.0
KFBd6.3/3	24	71.0	2.95	Gr10	0.5	1.0
KFBd10/5	24	73.0	3.06	Gr10	0.5	1.0
KFBd16/8	24	81.2	3.38	Gr10	0.6	1.2
KFBd25/12	24	82.1	3.42	Gr10	0.6	1.2
KFBd40/20	24	133.0	5.55	Gr10	0.6	1.2
KFBd63/30	24	156.0	6.50	Gr10	0.6	1.2
KFBd100/50	110	203.0	1.85	Gr10	0.6	1.2

## Diameter

Model	Diameter A [mm]	Diameter B [mm]	Diameter C [mm]	Diameter D h6 [mm]	Diameter D1 H7 [mm]	Diameter E h8 [mm]
KFBd4/2	180	80.0	165	25	30	136
KFBd6.3/3	195	90.0	180	30	35	145
KFBd10/5	212	100.0	196	35	40	164
KFBd16/8	255	115.0	225	40	45	190

## KFBd Type

Single Disc Electromagnetic Clutch / Spring actuated Brake

2023/03/22

KFBd25/12	285	120.0	245	45	50	200
KFBd40/20	315	130.0	265	50	55	220
KFBd63/30	365	150.0	310	60	65	255
KFBd100/50	420	175.0	350	70	75	290

Model	Diameter F [mm]	Diameter G H8 [mm]	Diameter H [mm]
KFBd4/2	120.0	130	114
KFBd6.3/3	130.0	135	116
KFBd10/5	148.0	150	128
KFBd16/8	170.0	180	150
KFBd25/12	180.0	200	155
KFBd40/20	195.0	210	170
KFBd63/30	230.0	255	210
KFBd100/50	260.0	290	240

## Length

Model	Length L [mm]	Length M [mm]	Length N [mm]	Length O [mm]	Length P [mm]	Length Q [mm]
KFBd4/2	98.0	31.0	51.0	90.0	12.0	2.0
KFBd6.3/3	11.0	36.0	58.0	102.0	15.0	5.0
KFBd10/5	120.0	40.0	67.0	112.0	15.0	5.0
KFBd16/8	135.0	51.0	88.0	8.0	16.0	3.0
KFBd25/12	142.0	56.0	90.0	8.0	16.0	5.0
KFBd40/20	168.0	63.0	110.0	9.0	16.0	5.0
KFBd63/30	178.0	73.0	110.0	9.0	16.0	5.0
KFBd100/50	205.0	85.0	124.0	11.0	17.0	5.0

Model	Length R [mm]	Length U [mm]	Length V [mm]	Length W [mm]
KFBd4/2	2.0	7.0	9.0	6
KFBd6.3/3	2.0	7.0	7.5	7
KFBd10/5	2.0	7.0	9.5	7
KFBd16/8	5.0	15.0	9.0	8
KFBd25/12	5.0	15.0	8.0	8

## KFBd Type

Single Disc Electromagnetic Clutch / Spring actuated Brake

2023/03/22

KFBd40/20	6.0	15.0	9.0	8
KFBd63/30	6.0	15.0	9.0	8
KFBd100/50	8.0	15.0	11.0	8

## Other Specifications

Model	Moment of Inertia J Drive side [×10-2kg·m <sup>2</sup> ]	Moment of Inertia J Driven side [×10-2kg·m <sup>2</sup> ]	Installation hole T	Armature Key ditch X [mm]	Armature Key ditch Y H7 [mm]	Installation screw Hole depth [mm]
KFBd4/2	0.0070	0.0275	4-Φ9	36.6	8	14
KFBd6.3/3	0.0095	0.0425	4-Φ9	42.6	10	15
KFBd10/5	0.0145	0.0675	6-Φ9	47.6	10	15
KFBd16/8	0.0375	0.1375	4-Φ9	52.6	12	20
KFBd25/12	0.0575	0.2125	4-Φ9	57.6	12	20
KFBd40/20	0.0975	0.3800	6-Φ9	65.6	15	20
KFBd63/30	0.2280	0.6680	4-Φ9	77.6	18	20
KFBd100/50	0.4900	1.4380	6-Φ9	87.6	20	25

Model	Installation screw S
KFBd4/2	4-M8
KFBd6.3/3	4-M8
KFBd10/5	6-M8
KFBd16/8	4-M8
KFBd25/12	4-M8
KFBd40/20	6-M8
KFBd63/30	4-M8
KFBd100/50	6-M8

## Notes

1. For this product, power unit of over excitation type which applies 2 - 4 times of rated voltage at power supply (approximately 1 second) shall be utilized.

2. No power supply unit and power unit are attached which shall be ordered separately with reference to

## KFBd Type

Single Disc Electromagnetic Clutch / Spring actuated Brake

2023/03/22

2. The power supply unit and the power unit are attached, which shall be ordered separately with reference to electromagnetic clutch / electric component for brake.