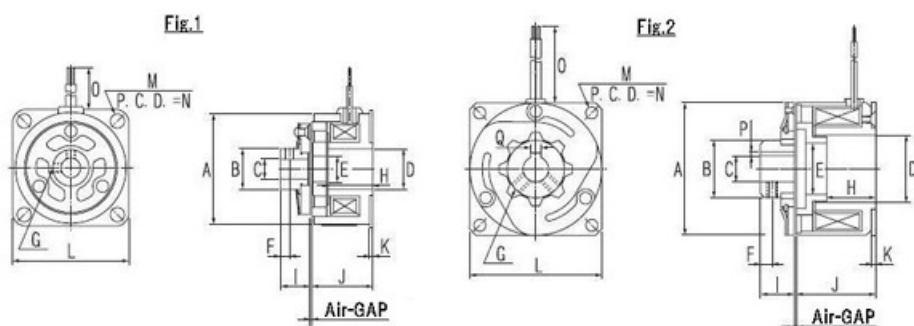


MBO Type

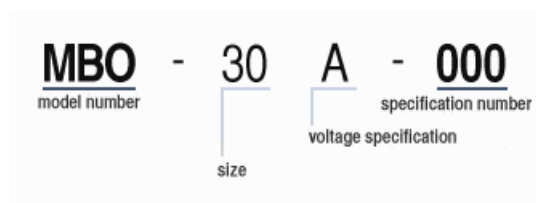
Dry-type Single-disc Opened Electromagnetic Brake

2023/03/22

Overall View



Part Number



Specifications

Model	Weight [kg]	Static friction torque [N·m]	Voltage DC [V]	Wattage (20°C) [W]
MBO-30	100.00	0.25	12, 24	4.4
MBO-40	180.00	0.8	12, 24	6
MBO-45	280.00	1	12, 24	6
MBO-50	400.00	2	12, 24	6

MBO Type

Dry-typeSingle-disc Opened Electromagnetic Brake

2023/03/22

Dimension

Model	Size Air-GAP [mm]	Size A [mm]	Size B [mm]	Size C H7 [mm]	Size D H7 [mm]	Size E [mm]
MBO-30	0.3	ø33	ø12	+0.012 ø6 -0	+0.018 ø12 -0	ø8
MBO-40	0.3	ø40	ø13	+0.012 ø6 -0	+0.018 ø15 -0	ø10
MBO-45	0.3	ø46	ø20	+0.015 ø8 -0	+0.018 ø12 -0	ø18.5
MBO-50	0.3	ø53	ø22	+0.015 ø10 -0	+0.021 ø26 -0	ø20

Model	Size F [mm]	Size G [mm]	Size H [mm]	Size I [mm]	Size J [mm]	Size K [mm]	Size L [mm]
MBO-30	3	2×M3	13.5	9	18.1	1	□35
MBO-40	3.5	2×M3	17	10	23	1.6	□45
MBO-45	4	2×M4	15.5	12	27.5	1.5	□46
MBO-50	5	2×M4	19	14	30.5	1.5	□53

Model	Size M [mm]	Size N (P.C.D.) [mm]	Size O [mm]	Size P [mm]	Size Q [mm]
MBO-30	4×ø4	ø40 ±0.3	150 min	-	-
MBO-40	4×ø4.5	ø52 ±0.3	150 min	-	-
MBO-45	4×ø4.5	ø56 ±0.5	250 min	0.9	2.5
MBO-50	4×ø4.5	ø63 ±0.5	250 min	1.5	4

Other Specifications

Model	Moment of Inertia J [×10 ⁻⁵ kg·m ²]
MBO-30	0.1300
MBO-40	0.3500
MBO-45	1.1300
MBO-50	2.5000

MBO Type

Dry-typeSingle-disc Opened Electromagnetic Brake

2023/03/22

Notes

- 1.As for the static friction torque, it is values when the air-gap was set to 0.3.
- 2.The size "G" is the hexagon socket set screw.