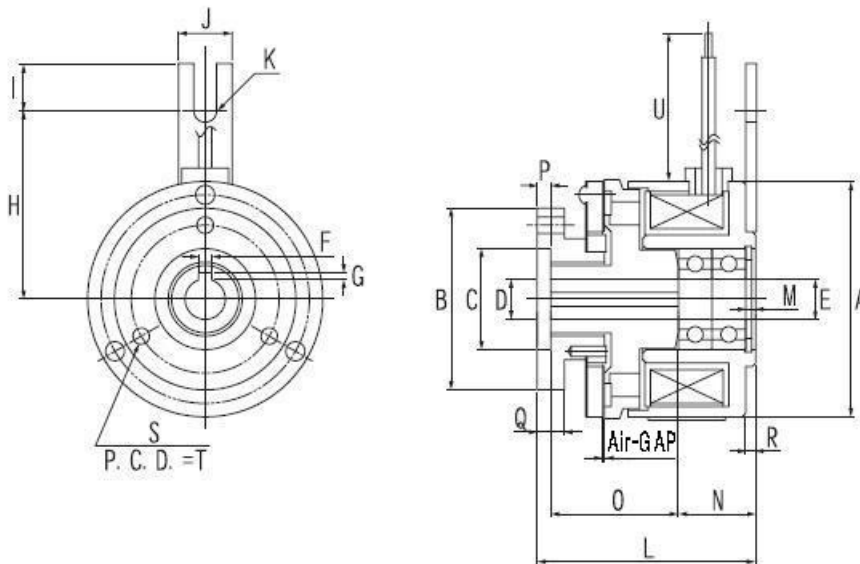


# MCA Type

Dry-type Single-disc Opened Electromagnetic Clutch

2024/02/28

## Overall View



## Part Number

**MCA** - **35** **B** - **000**  
model number      size      specification number      voltage specification

## Specifications

Model	Weight [kg]	Static friction torque [N·m]	Voltage DC [V]	Wattage (20°C) [W]
MCA-30	150.00	0.25	12, 24	4.5
MCA-35	200.00	0.5	12, 24	5.0

## MCA Type

Dry-type Single-disc Opened Electromagnetic Clutch

2024/02/28

MCA-35	200.00	0.5	12, 24	5.8
MCA-45	350.00	1	12, 24	6
MCA-50	500.00	2	12, 24	6

## Dimension

Model	Size Air-GAP [mm]	Size A [mm]	Size B [mm]	Size C H7 [mm]	Size D H7 [mm]	Size E [mm]
MCA-30	0.3	ø35	ø27	+0.018 ø15 -0	+0.012 ø6 -0	ø6
MCA-35	0.3	ø40	ø27	+0.018 ø15 -0	+0.012 ø6 -0	ø6
MCA-45	0.3	ø46	ø35	+0.021 ø22 -0	+0.015 ø8 -0	ø8
MCA-50	0.3	ø53	ø46	+0.021 ø26 -0	+0.015 ø10 -0	ø10

Model	Size F [mm]	Size G [mm]	Size H [mm]	Size I [mm]	Size J [mm]	Size K [mm]	Size L [mm]
MCA-30	2	0.9	28	7	8	ø3.4	32.5
MCA-35	2	0.9	30	5	8	ø3.2	32.5
MCA-45	2.5	0.9	38	5	10	ø4.5	40.8
MCA-50	4	1.5	40	5	10	ø4.2	45

Model	Size M [mm]	Size N [mm]	Size O [mm]	Size P [mm]	Size Q [mm]	Size R [mm]	Size S [mm]
MCA-30	1.5	10	19	2	4	1.5	3×M3
MCA-35	1.5	10	19	2	4	1.5	3×M3
MCA-45	1.5	14	22.8	2.5	6	1.5	3×M3
MCA-50	1.5	16	24.5	3	6	1.5	3×M4

Model	Size T (P.C.D.) [mm]	Size U [mm]
MCA-30	ø40 ±0.3	150 min
MCA-35	ø40 ±0.3	200 min
MCA-45	ø52 ±0.3	150 min
MCA-50	ø63 ±0.5	300 min

# MCA Type

Dry-type Single-disc Opened Electromagnetic Clutch

2024/02/28

## Other Specifications

Model	Moment of Inertia J Shaft-1 [×10-5kg·m <sup>2</sup> ]	Moment of Inertia J Shaft-2 [×10-5kg·m <sup>2</sup> ]
MCA-30	0.4900	0.4300
MCA-35	0.7200	0.7300
MCA-45	1.6000	1.4300
MCA-50	4.0000	2.0000

## Notes

- 1.As for the size "K" of the type 35, it is not a 3.4mm diameter hole but a 3.4mm wide U-cut hole.
- 2.As for the static friction torque and the size "L", they are values when the air-gap was set to 0.3.