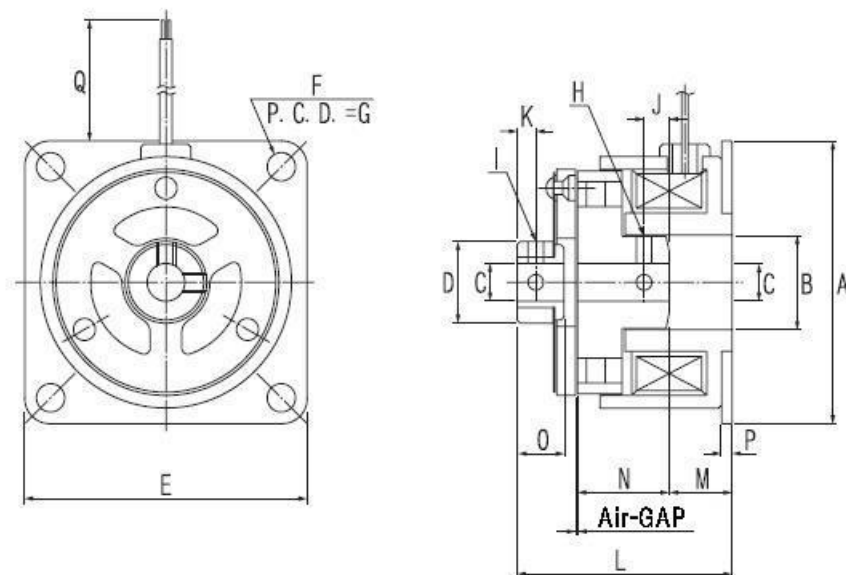


MCO Type

Dry-type Single-disc Opened Electromagnetic Clutch

2023/03/22

Overall View



Part Number

MCO - **30** **A** - **000**
 model number size specification number voltage specification

Specifications

Model	Weight [kg]	Static friction torque [N·m]	Voltage DC [V]	Wattage (20°C) [W]
MCO-30	100.00	0.25	12, 24	4.4

MCO Type

Dry-type Single-disc Opened Electromagnetic Clutch

2023/03/22

MCO-40	200.00	0.8	12, 24	6
MCO-50	450.00	2	12, 24	6

Dimension

Model	Size Air-GAP [mm]	Size A [mm]	Size B H7 [mm]	Size C H7 [mm]	Size D [mm]	Size E [mm]
MCO-30	0.3	ø33	+0.018 ø12 -0	+0.012 ø6 -0	ø11	□35
MCO-40	0.3	ø40	+0.018 ø15 -0	+0.012 ø6 -0	ø13	□45
MCO-50	0.3	ø74	+0.021 ø26 -0	+0.015 ø10 -0	ø22	□53

Model	Size F [mm]	Size G (P.C.D.) [mm]	Size H [mm]	Size I [mm]	Size J [mm]	Size K [mm]	Size L [mm]
MCO-30	4×ø4	ø40 ±0.3	1×M3	2×M3	3	3	27.7
MCO-40	4×ø4.5	ø52 ±0.3	2×M3	2×M3	4	3	34
MCO-50	4×ø4.5	ø63 ±0.5	2×M4	2×M4	5	5	44.8

Model	Size M [mm]	Size N [mm]	Size O [mm]	Size P [mm]	Size Q [mm]
MCO-30	8	10.7	7.4	1	150 min
MCO-40	10	14.5	7.5	1.5	150 min
MCO-50	6.5	24	14	1.5	250 min

Other Specifications

Model	Moment of Inertia J Shaft-1 [×10 ⁻⁵ kg·m ²]	Moment of Inertia J Shaft-2 [×10 ⁻⁵ kg·m ²]
MCO-30	0.1130	0.1630
MCO-40	0.4000	0.5300
MCO-50	2.5000	2.7500

MCO Type

Dry-type Single-disc Opened Electromagnetic Clutch

2023/03/22

Notes

- 1.As for the static friction torque and the size "L", they are values when the air-gap was set to 0.3.
- 2.The size "H" and "I" are the hexagon socket set screw.