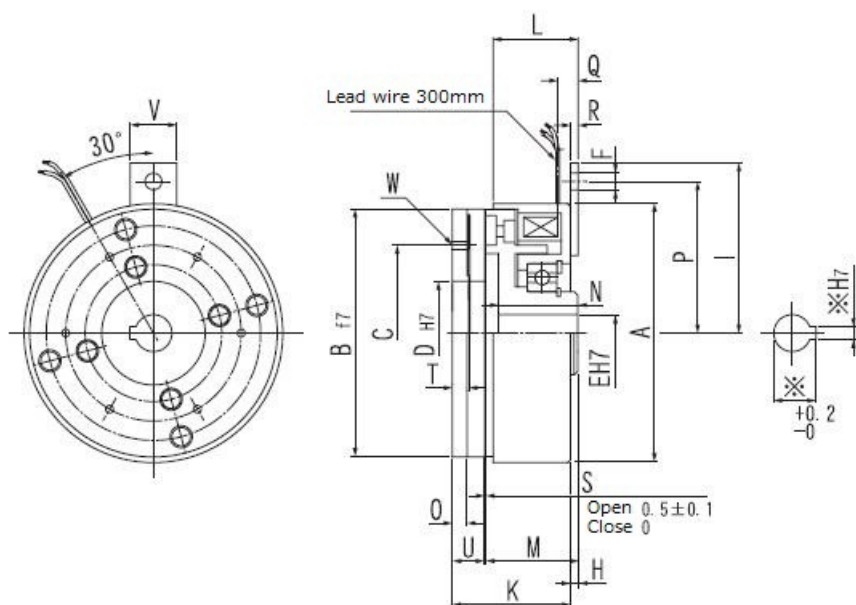


MGL

Electromagnetic single disc clutch (Dry type)

2023/03/22

Overall View



Part Number

MGL **1.5** - **000** **B**

model number size specification number voltage specification

Specifications

Model	Max Speed [min ⁻¹]	Weight [kg]	Static friction torque [N·m]	Coil 20deg.C Voltage DC [V]	Coil 20deg.C Wattage [W]	Coil 20deg.C Current [A]
-------	-----------------------------------	----------------	---------------------------------	-----------------------------------	-----------------------------	-----------------------------

MGL

Electromagnetic single disc clutch (Dry type)

2023/03/22

MGL1.5	2500	1.50	15	24	18.5	0.77
MGL3	2000	2.20	30	24	27.8	1.16
MGL6	1500	4.90	60	24	37.9	1.58
MGL12	1500	9.20	120	24	37.7	1.57
MGL24	1500	15.90	240	24	52.3	2.18

Diameter

Model	Diameter A [mm]	Diameter B f7 [mm]	Diameter C [mm]	Diameter D H7 [mm]	Diameter E H7 [mm]	Diameter F [mm]
MGL1.5	90	86	55	35	15	6.6
MGL3	110	106	90	45	25	6.5
MGL6	140	134	95	56	30	9.0
MGL12	175	167	120	75	50	11.5
MGL24	220	209	160	105	60	14.0

Length

Model	Length H [mm]	Length I [mm]	Length K [mm]	Length L [mm]	Length M [mm]	Length N [mm]
MGL1.5	2.5	57.0	49.5	34.5	37.5	33.0
MGL3	3.5	72.0	53.0	35.9	39.0	34.0
MGL6	3.9	92.0	68.0	46.0	50.0	43.0
MGL12	3.5	115.5	85.0	61.5	68.0	61.0
MGL24	7.0	139.0	98.0	72.0	78.0	71.0

Model	Length O [mm]	Length P [mm]	Length Q [mm]	Length R [mm]	Length S Air Gap(Clutch Open) [mm]	Length T [mm]	Length U [mm]
MGL1.5	5.0	52.0	8.3	2.3	0.5	6.0	11.5
MGL3	6.0	65.0	11.0	2.9	0.5	7.0	13.5
MGL6	8.0	82.0	11.0	4.0	0.5	9.0	17.5
MGL12	7.5	104.0	16.5	4.0	0.5	8.5	16.5

MGL

Electromagnetic single disc clutch (Dry type)

2023/03/22

Model	Length V [mm]	Length W (Bolt Hole Same Degrees) [mm]
MGL1.5	15.0	3-M4
MGL3	18.0	6-M5
MGL6	25.0	6-M5
MGL12	20.0	6-M6
MGL24	35.0	6-M6

Other Specifications

Model	Moment of Inertia J Armature Side [$\times 10^{-4} \text{kg} \cdot \text{m}^2$]	Moment of Inertia J Rotor Side [$\times 10^{-4} \text{kg} \cdot \text{m}^2$]
MGL1.5	4.3	2.8
MGL3	12.0	6.5
MGL6	40.0	29.0
MGL12	93.0	90.0
MGL24	275.0	230.0

Notes

1. Please specify the size of mark.