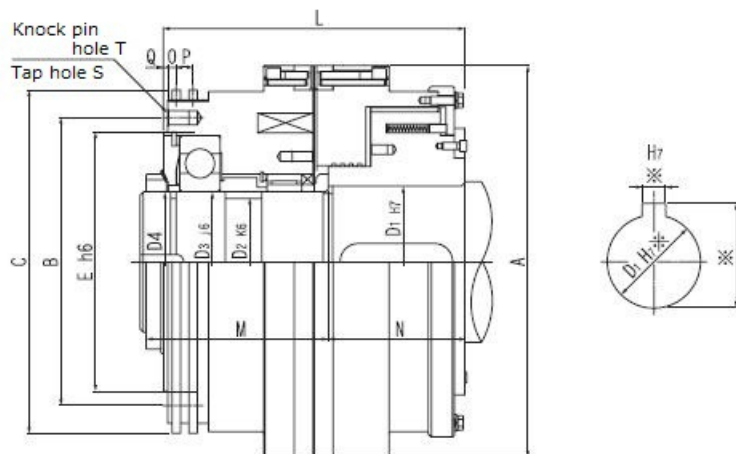


ZBA Type

Electromagnetic toothed Clutch

2023/03/22

Overall View



Part Number



Specifications

Model	Max Speed [min ⁻¹]	Weight [kg]	Torque [N·m]	Coil 20deg.C Voltage DC [V]	Coil 20deg.C Wattage [W]	Coil 20deg.C Current [A]
ZBA16	4300	9.00	160	24	40.5	1.69
ZBA25	4000	13.00	250	24	32.0	1.33
ZBA40	3500	16.00	400	24	44.2	1.84

ZBA Type

Electromagnetic toothed Clutch

2023/03/22

ZBA63	3200	23.00	630	24	49.5	2.06
ZBA100	2900	28.00	1000	110	56.3	0.51
ZBA160	2600	38.00	1600	110	89.0	0.81
ZBA250	2300	54.00	2500	110	112.5	1.02
ZBA400	2100	70.00	4000	110	114.0	1.04
ZBA630	1800	100.00	6300	110	156.0	1.42
ZBA1000	1500	153.00	10000	110	174.0	1.58
ZBA1600	1200	225.00	16000	110	251.0	2.30
ZBA2500	1000	330.00	25000	110	303.5	2.76
ZBA4000	1000	490.00	40000	110	388.0	3.53
ZBA6300	700	720.00	63000	110	475.0	4.32
ZBA10000	600	1190.00	100000	110	600.0	5.45

Model	Brush Size	Air Gap Clutch Open [mm]
ZBA16	Gr05	0.5
ZBA25	Gr05	0.5
ZBA40	Gr05	0.5
ZBA63	Gr05	0.5
ZBA100	Gr10	0.5
ZBA160	Gr10	0.5
ZBA250	Gr10	1.0
ZBA400	Gr10	1.0
ZBA630	Gr10	1.0
ZBA1000	Gr10	1.0
ZBA1600	Gr10	1.0
ZBA2500	Gr10	1.5
ZBA4000	Gr10	1.5
ZBA6300	Gr20	1.5
ZBA10000	Gr20	1.5

Diameter

Model	Diameter A [mm]	Diameter B [mm]	Diameter C [mm]	Diameter D1 max H7 [mm]	Diameter D2 max [mm]	Diameter D3 max [mm]
---	---	---	---	---	---	---

ZBA Type

Electromagnetic toothed Clutch

2023/03/22

ZBA16	140	90.0	120	45	35	35
ZBA25	150	98.0	132	50	40	40
ZBA40	170	110.0	145	60	50	50
ZBA63	190	132.0	180	70	60	60
ZBA100	210	145.0	200	80	65	65
ZBA160	230	156.0	200	90	75	75
ZBA250	260	176.0	230	100	85	85
ZBA400	290	200.0	255	110	95	95
ZBA630	330	230.0	295	130	110	110
ZBA1000	380	270.0	340	150	130	130
ZBA1600	440	350.0	405	180	160	160
ZBA2500	500	400.0	470	210	190	190
ZBA4000	560	410.0	490	230	200	200
ZBA6300	640	525.0	600	260	240	240
ZBA10000	740	575.0	710	300	260	260

Model	Diameter E h6 [mm]	Diameter S (Screw hole) [mm]	Diameter T (Dowel pin hole) [mm]
ZBA16	78	6-M8	3-ø8
ZBA25	85	6-M8	3-ø8
ZBA40	98	8-M8	4-ø8
ZBA63	120	12-M8	6-ø8
ZBA100	130	8-M10	4-ø10
ZBA160	140	8-M12	4-ø12
ZBA250	160	12-M12	6-ø12
ZBA400	180	8-M16	4-ø16
ZBA630	210	12-M16	6-ø16
ZBA1000	245	8-M20	4-ø20
ZBA1600	325	12-M16	6-ø16
ZBA2500	370	12-M20	6-ø20
ZBA4000	370	12-M24	6-ø20
ZBA6300	490	16-M20	8-ø20
ZBA10000	525	24-M20	12-ø20

Length

ZBA Type

Electromagnetic toothed Clutch

2023/03/22

Model	Length L [mm]	Length M [mm]	Length N [mm]	Length O [mm]	Length P [mm]	Length Q [mm]
ZBA16	120.0	70.0	50.0	8.0	14.0	2.0
ZBA25	140.0	80.0	60.0	8.0	14.0	2.0
ZBA40	145.0	83.0	62.0	8.0	14.0	3.0
ZBA63	160.0	92.0	68.0	8.0	14.0	3.0
ZBA100	165.0	93.0	72.0	8.0	14.5	3.0
ZBA160	190.0	115.0	80.0	8.0	14.5	4.0
ZBA250	205.0	125.0	85.0	8.0	14.5	4.0
ZBA400	225.0	130.0	100.0	12.0	20.0	5.0
ZBA630	260.0	155.0	115.0	12.0	20.0	5.0
ZBA1000	290.0	165.0	130.0	12.0	20.0	5.0
ZBA1600	30.0	205.0	160.0	12.0	22.0	5.0
ZBA2500	380.0	225.0	180.0	12.0	24.0	5.0
ZBA4000	430.0	260.0	195.0	12.0	24.0	6.0
ZBA6300	490.0	290.0	230.0	12.0	24.0	6.0
ZBA10000	580.0	350.0	260.0	18.0	28.0	6.0

Other Specifications

Model	Moment of Inertia J Armature Side [kg·m ²]	Moment of Inertia J Outer boss Side [kg·m ²]
ZBA16	0.0125	0.0125
ZBA25	0.0225	0.0175
ZBA40	0.0325	0.0275
ZBA63	0.0525	0.0500
ZBA100	0.0800	0.0750
ZBA160	0.1400	0.1150
ZBA250	0.2500	0.2250
ZBA400	0.4500	0.3500
ZBA630	0.8750	0.7000
ZBA1000	1.6750	1.2000
ZBA1600	3.5000	2.5000
ZBA2500	6.7500	5.5000
ZBA4000	13.5000	9.2500
ZBA6300	22.5000	16.0000

ZBA Type

Electromagnetic toothed Clutch

2023/03/22

ZBA10000	43.3000	28.5000

Notes

1. Please indicate dimension of the part marked . (If nothing is indicated, product with prepared hole shall be delivered).
2. In case quick response speed is required, power unit of over excitation type shall be utilized.
3. No power supply unit and power unit are attached, which shall be ordered separately with reference to electromagnetic clutch / electric component for brake.