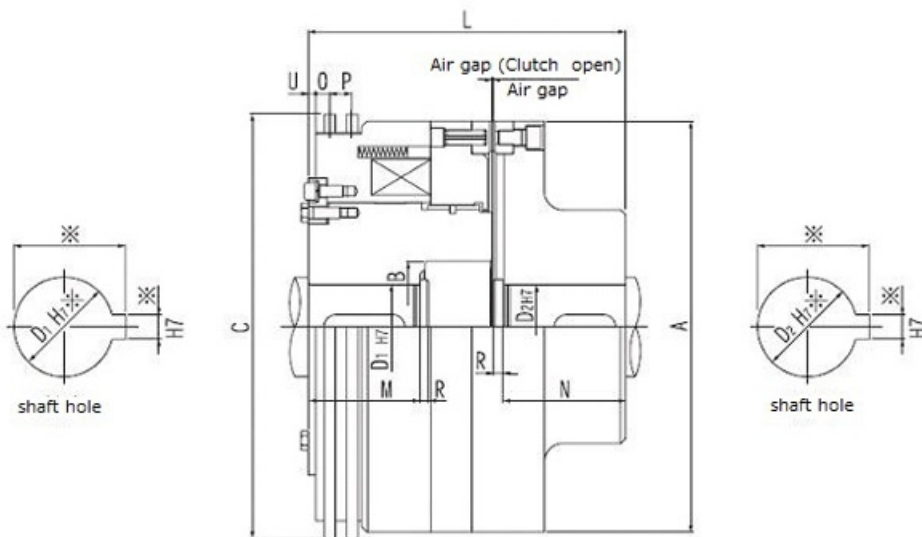


ZEA Type

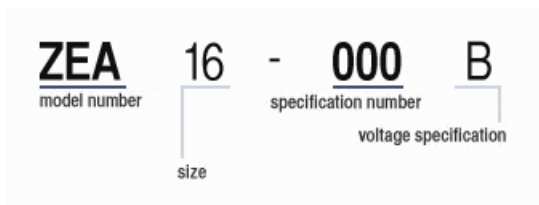
Electromagnetic toothed Clutch (Spring actuated type)

2023/03/22

Overall View



Part Number



Specifications

Model	Max Speed [min-1]	Weight [kg]	Torque [N·m]	Coil 20deg.C Voltage DC [V]	Coil 20deg.C Wattage [W]	Coil 20deg.C Current [A]
ZEA16	3600	17.00	160	24	53.4	2.22
ZEA25	2200	22.00	250	24	65.0	2.71

ZEA Type

Electromagnetic toothed Clutch (Spring actuated type)

2023/03/22

ZEA25	3200	23.00	250	24	65.0	2.71
ZEA40	2600	30.00	400	24	80.6	3.36
ZEA63	2500	39.00	630	24	92.3	3.84
ZEA100	2200	47.00	1000	110	122.0	1.11
ZEA160	1900	67.00	1600	110	142.0	1.29
ZEA250	1800	81.00	2500	110	155.0	1.41
ZEA400	1700	119.00	4000	110	220.0	2.00
ZEA630	1500	182.00	6300	110	273.0	2.48
ZEA1000	1300	269.00	10000	110	320.0	2.91
ZEA1600	1100	377.00	16000	110	386.0	3.51
ZEA2500	1000	575.00	25000	110	462.0	4.20
ZEA4000	800	840.00	40000	110	572.0	5.20
ZEA6300	700	1260.00	63000	110	736.0	6.68
ZEA10000	600	1780.00	100000	110	900.0	8.18

Model	Brush Size	Air Gap Clutch Open [mm]
ZEA16	Gr05	0.5
ZEA25	Gr05	0.5
ZEA40	Gr10	0.6
ZEA63	Gr10	0.6
ZEA100	Gr10	0.6
ZEA160	Gr1	0.7
ZEA250	Gr1	0.7
ZEA400	Gr1	0.7
ZEA630	Gr1	0.8
ZEA1000	Gr20	0.8
ZEA1600	Gr20	0.8
ZEA2500	Gr20	1.0
ZEA4000	Gr20	1.0
ZEA6300	Gr20	1.2
ZEA10000	Gr20	1.2

Diameter

Model	Diameter A	Diameter B	Diameter C	Diameter D1 max H7	Diameter D2 max H7
-------	------------	------------	------------	--------------------	--------------------

ZEA Type

Electromagnetic toothed Clutch (Spring actuated type)

2023/03/22

	[mm]	[mm]	[mm]	[mm]	[mm]
ZEA16	150	56.0	160	45	45
ZEA25	170	60.0	180	50	50
ZEA40	190	73.0	215	60	60
ZEA63	210	84.0	230	70	70
ZEA100	230	96.0	255	80	80
ZEA160	260	105.0	295	9	90
ZEA250	290	120.0	315	100	100
ZEA400	330	130.0	340	110	110
ZEA630	380	150.0	395	130	130
ZEA1000	440	175.0	455	150	150
ZEA1600	500	205.0	535	180	180
ZEA2500	560	245.0	595	210	210
ZEA4000	640	275.0	685	240	240
ZEA6300	740	320.0	780	280	280
ZEA10000	850	365.0	860	320	320

Length

Model	Length L [mm]	Length M [mm]	Length N [mm]	Length O [mm]	Length P [mm]	Length R [mm]
ZEA16	160.0	90.0	50.0	7.0	14.0	5.0
ZEA25	170.0	95.0	55.0	7.0	14.0	5.0
ZEA40	180.0	100.0	60.0	12.0	16.0	6.0
ZEA63	190.0	105.0	65.0	7.0	14.5	6.0
ZEA100	215.0	120.0	70.0	9.0	20.0	8.0
ZEA160	225.0	125.0	75.0	9.0	20.0	8.0
ZEA250	245.0	130.0	85.0	9.0	20.0	10.0
ZEA400	275.0	145.0	95.0	9.0	20.0	10.0
ZEA630	300.0	155.0	110.0	9.0	20.0	12.0
ZEA1000	340.0	170.0	130.0	15.0	24.0	12.0
ZEA1600	400.0	190.0	160.0	15.0	24.0	15.0
ZEA2500	445.0	210.0	170.0	15.0	24.0	15.0
ZEA4000	495.0	245.0	190.0	15.0	24.0	20.0
ZEA6300	545.0	275.0	210.0	15.0	24.0	20.0
ZEA10000	610.0	310.0	225.0	15.0	24.0	25.0

ZEA Type

Electromagnetic toothed Clutch (Spring actuated type)

2023/03/22

Model	Length U [mm]
ZEA16	4.0
ZEA25	4.0
ZEA40	6.0
ZEA63	5.0
ZEA100	5.0
ZEA160	5.0
ZEA250	8.0
ZEA400	8.0
ZEA630	8.0
ZEA1000	8.0
ZEA1600	10.0
ZEA2500	10.0
ZEA4000	10.0
ZEA6300	10.0
ZEA10000	10.0

Other Specifications

Model	Moment of Inertia J Armature Side [kg·m ²]	Moment of Inertia J Outer boss Side [kg·m ²]
ZEA16	0.0125	0.0425
ZEA25	0.0200	0.0875
ZEA40	0.0300	0.1250
ZEA63	0.0475	0.1750
ZEA100	0.0875	0.2850
ZEA160	0.1500	0.5000
ZEA250	0.2000	0.7500
ZEA400	0.3750	1.4000
ZEA630	0.7500	2.5000
ZEA1000	1.6750	5.5000
ZEA1600	2.7500	10.5000
ZEA2500	5.2500	19.5000
ZEA4000	10.2500	37.5000

ZEA Type

Electromagnetic toothed Clutch (Spring actuated type)

2023/03/22

ZEA6300	19.5000	70.0000
ZEA10000	37.5000	132.5000

Notes

1. Please indicate dimension of the part marked. (If nothing is indicated, product with prepared hole shall be delivered).
2. In case quick response speed is required, power unit of over excitation type shall be utilized.
3. No power supply unit and power unit are attached, which shall be ordered separately with reference to electromagnetic clutch / electric component for brake.