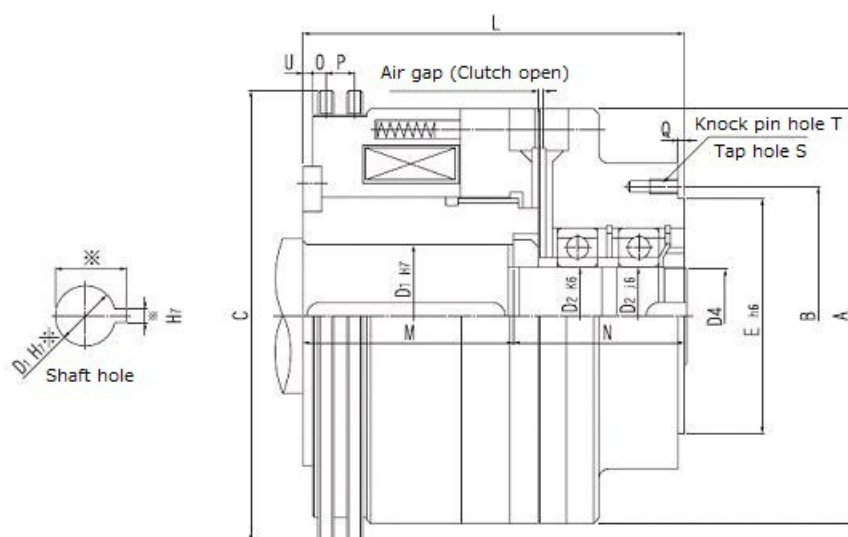


ZFA Type

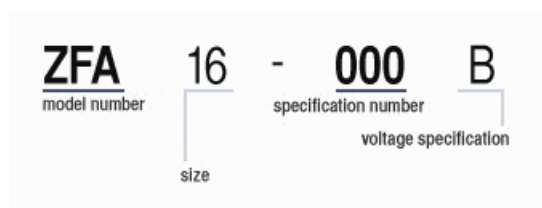
Electromagnetic toothed Clutch (Spring actuated type)

2023/03/22

Overall View



Part Number



Specifications

Model	Max Speed [min ⁻¹]	Weight [kg]	Torque [N·m]	Coil 20deg.C Voltage DC [V]	Coil 20deg.C Wattage [W]	Coil 20deg.C Current [A]
ZFA16	3600	17.00	160	24	53.4	2.22
ZFA25	3200	23.00	250	24	65.0	2.71
---	---	---	---	---	---	---

ZFA Type

Electromagnetic toothed Clutch (Spring actuated type)

2023/03/22

ZFA40	2600	30.00	400	24	80.6	3.36
ZFA63	2500	40.00	630	24	92.3	3.84
ZFA100	2200	48.00	1000	110	122.0	1.11
ZFA160	1900	68.00	1600	110	142.0	1.29
ZFA250	1800	85.00	2500	110	155.0	1.41
ZFA400	1700	123.00	4000	110	220.0	2.00
ZFA630	1500	188.00	6300	110	273.0	1.48
ZFA1000	1300	283.00	10000	110	300.0	2.71
ZFA1600	1100	408.00	16000	110	386.0	3.51
ZFA2500	1000	574.00	25000	110	462.0	4.20
ZFA4000	800	880.00	40000	110	572.0	5.20
ZFA6300	700	1300.00	63000	110	736.0	6.68
ZFA10000	600	1820.00	100000	110	900.0	8.18

Model	Brush Size	Air Gap Clutch Open [mm]
ZFA16	Gr05	0.5
ZFA25	Gr05	0.5
ZFA40	Gr10	0.6
ZFA63	Gr10	0.6
ZFA100	Gr10	0.6
ZFA160	Gr10	0.7
ZFA250	Gr10	0.7
ZFA400	Gr10	0.7
ZFA630	Gr10	0.8
ZFA1000	Gr20	0.8
ZFA1600	Gr20	0.8
ZFA2500	Gr20	1.0
ZFA4000	Gr20	1.0
ZFA6300	Gr20	1.2
ZFA10000	Gr20	1.2

Diameter

Model	Diameter A [mm]	Diameter B [mm]	Diameter C [mm]	Diameter D1 max H7 [mm]	Diameter D2 max [mm]	Diameter D3 max [mm]
-------	-----------------------	-----------------------	-----------------------	-------------------------------	----------------------------	----------------------------

ZFA Type

Electromagnetic toothed Clutch (Spring actuated type)

2023/03/22

Model	Dimension 1	Dimension 2	Dimension 3	Dimension 4	Dimension 5	Dimension 6
ZFA16	150	90.0	160	45	35	35
ZFA25	170	98.0	180	50	40	40
ZFA40	190	110.0	215	60	50	50
ZFA63	210	132.0	230	70	60	60
ZFA100	230	145.0	255	80	65	65
ZFA160	260	156.0	295	90	75	75
ZFA250	290	176.0	315	100	85	85
ZFA400	330	200.0	340	110	95	95
ZFA630	380	230.0	395	130	110	110
ZFA1000	440	270.0	455	150	130	130
ZFA1600	500	330.0	535	180	160	160
ZFA2500	560	380.0	595	210	190	190
ZFA4000	640	410.0	685	230	200	200
ZFA6300	740	480.0	770	260	240	240
ZFA10000	850	520.0	660	300	260	260

Model	Diameter E [mm]	Diameter S (Screw hole) [mm]	Diameter T (Dowel pin hole) [mm]
ZFA16	78	6-M8	3-ø8
ZFA25	85	6-M8	3-ø8
ZFA40	98	8-M8	4-ø8
ZFA63	120	12-M8	6-ø8
ZFA100	130	8-M10	4-ø10
ZFA160	140	8-M12	4-ø12
ZFA250	160	12-M12	6-ø12
ZFA400	180	8-M16	4-ø16
ZFA630	210	12-M16	6-ø16
ZFA1000	245	8-M20	4-ø20
ZFA1600	300	12-M16	6-ø16
ZFA2500	350	12-M20	6-ø20
ZFA4000	370	12-M20	6-ø20
ZFA6300	450	16-M20	8-ø20
ZFA10000	490	24-M20	12-ø20

Length

ZFA Type

Electromagnetic toothed Clutch (Spring actuated type)

2023/03/22

Model	Length L [mm]	Length M [mm]	Length N [mm]	Length O [mm]	Length P [mm]	Length Q [mm]
ZFA16	160.0	95.0	65.0	7.0	14.0	2.0
ZFA25	170.0	95.0	75.0	7.0	14.0	2.0
ZFA40	180.0	100.0	80.0	7.0	14.5	3.0
ZFA63	190.0	105.0	85.0	7.0	14.5	3.0
ZFA100	215.0	120.0	95.0	9.0	20.0	3.0
ZFA160	222.0	125.0	105.0	9.0	20.0	4.0
ZFA250	245.0	130.0	120.0	9.0	20.0	4.0
ZFA400	275.0	145.0	135.0	9.0	20.0	5.0
ZFA630	300.0	155.0	150.0	9.0	20.0	5.0
ZFA1000	340.0	170.0	175.0	15.0	24.0	5.0
ZFA1600	400.0	190.0	220.0	15.0	4.0	5.0
ZFA2500	445.0	230.0	225.0	15.0	24.0	5.0
ZFA4000	495.0	245.0	260.0	15.0	24.0	6.0
ZFA6300	545.0	275.0	280.0	15.0	24.0	6.0
ZFA10000	610.0	310.0	310.0	14.0	27.0	6.0

Model	Length U [mm]
ZFA16	6.0
ZFA25	4.0
ZFA40	4.0
ZFA63	5.0
ZFA100	5.0
ZFA160	5.0
ZFA250	8.0
ZFA400	8.0
ZFA630	8.0
ZFA1000	8.0
ZFA1600	10.0
ZFA2500	10.0
ZFA4000	10.0
ZFA6300	10.0
ZFA10000	0.0

ZFA Type

Electromagnetic toothed Clutch (Spring actuated type)

2023/03/22

Other Specifications

Model	Moment of Inertia J Armature Side [kg·m ²]	Moment of Inertia J Outer boss Side [kg·m ²]
ZFA16	0.0125	0.1925
ZFA25	0.0200	0.0875
ZFA40	0.0325	0.1250
ZFA63	0.0530	0.1750
ZFA100	0.0900	0.2900
ZFA160	0.1500	0.5000
ZFA250	0.2250	0.7750
ZFA400	0.4000	1.4500
ZFA630	0.8000	2.6000
ZFA1000	1.8000	5.6250
ZFA1600	3.6500	10.7500
ZFA2500	6.2500	18.2500
ZFA4000	12.0000	38.2500
ZFA6300	21.2500	71.2500
ZFA10000	40.0000	135.0000

Notes

1. Please indicate dimension of the part marked. (If nothing is indicated, product with prepared hole shall be delivered).
2. In case quick response speed is required, power unit of over excitation type shall be utilized.
3. No power supply unit and power unit are attached, which shall be ordered separately with reference to electromagnetic clutch / electric component for brake.