

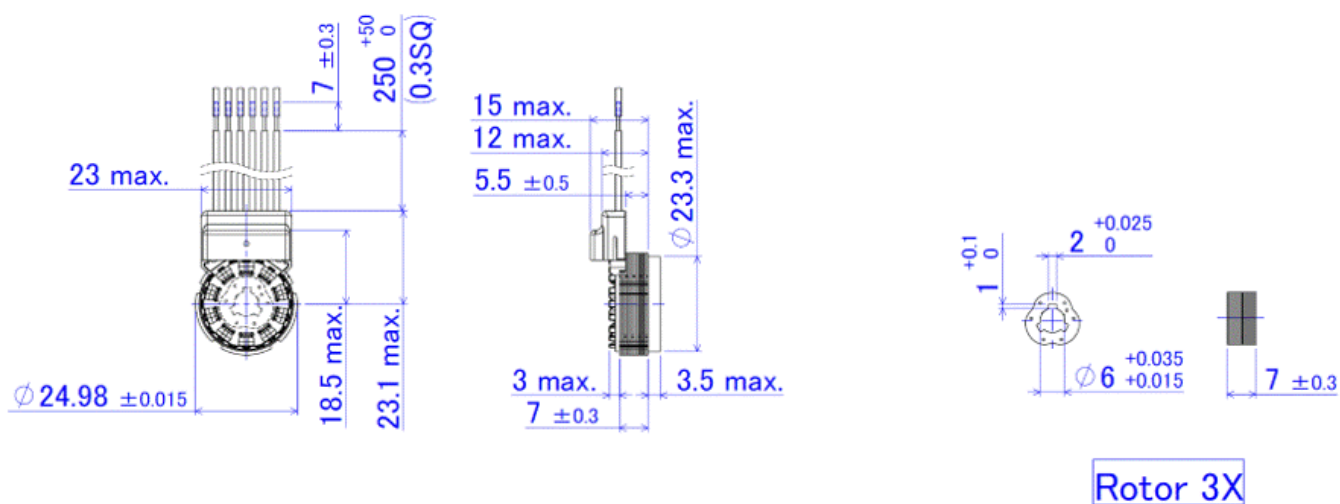
10VRX

2023/03/22

Appearance



Overall View



Specifications

Number of multiple	2X-4X
Input voltage [AC Vrms]	7
Input frequency [KHz]	10
Transformation ratio	0.286
Maximum rotation speed [r/min]	30000

10VRX

2023/03/22

Temperature range lower limit [deg.C]	-40
Temperature range upper limit [deg.C]	125
Stator outer diameter [mm]	25
Rotor inner diameter [mm]	6
Stack thickness [mm]	7