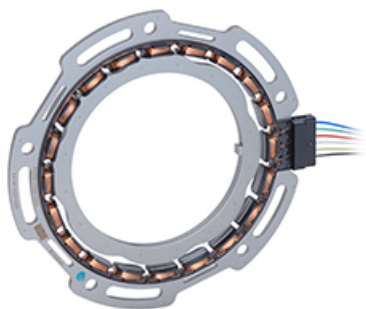


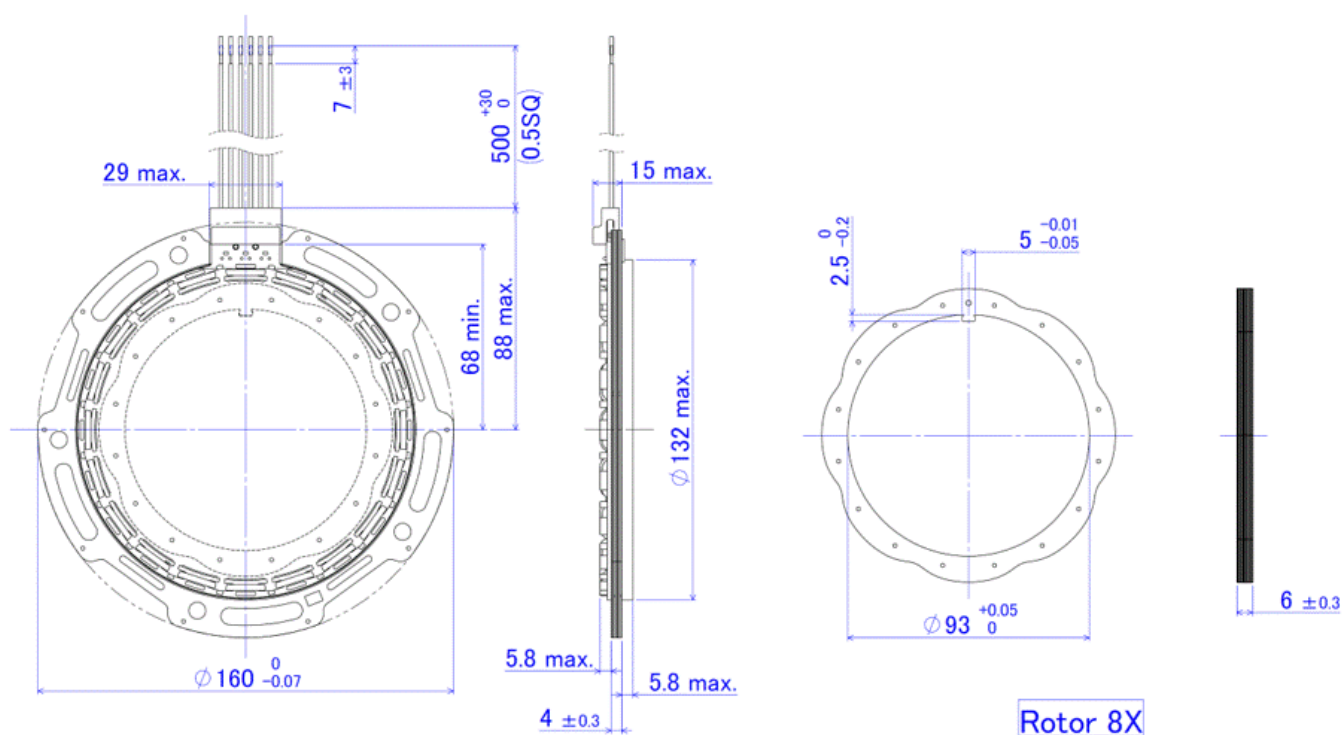
63VRX

2023/03/22

Appearance



Overall View



Specifications

ミネベアミツミ株式会社

Copyright©MinebeaMitsumi Inc. All right reserved.

63VRX

2023/03/22

Number of multiple	2X-8X
Input voltage [AC Vrms]	7
Input frequency [KHz]	10
Transformation ratio	0.286
Maximum rotation speed [r/min]	12000
Temperature range lower limit [deg.C]	-40
Temperature range upper limit [deg.C]	125
Stator outer diameter [mm]	160
Rotor inner diameter [mm]	93
Stack thickness [mm]	4

The transformation ratio may be lower than 0.286.

Resolvers under development are included. Please inquire for details.