

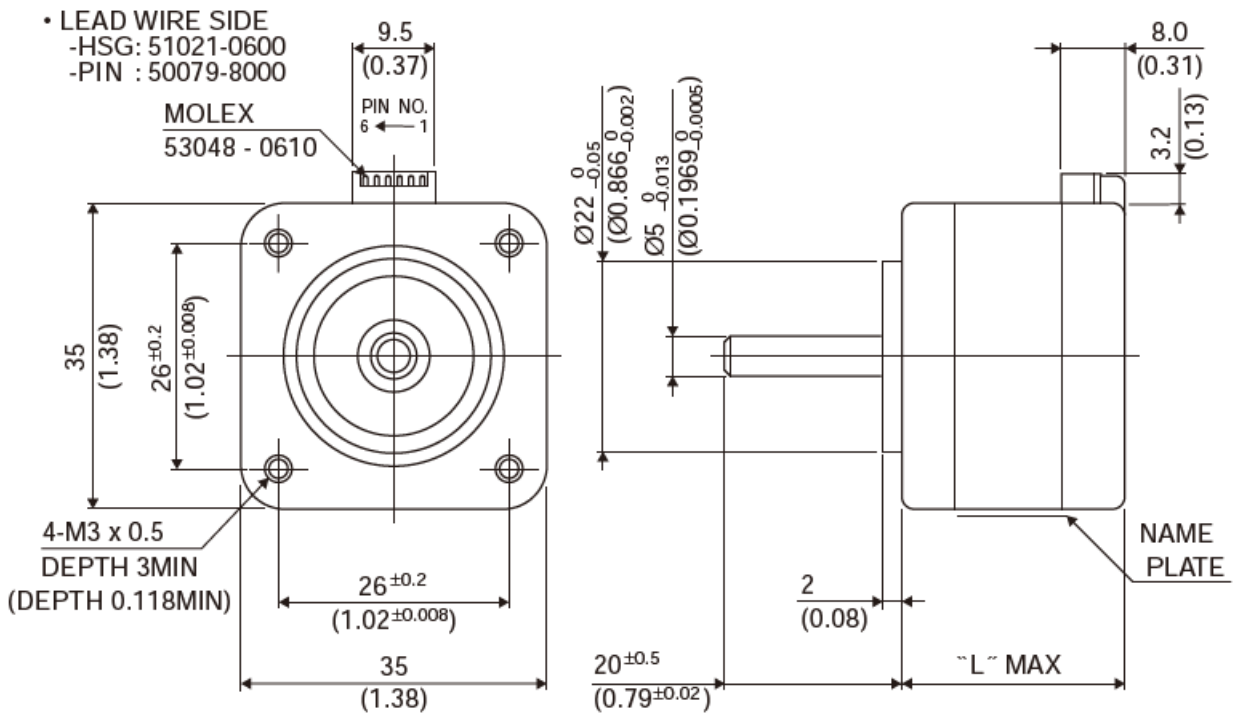
14PY-Z(35□ 0.9°)

2024/02/28

Appearance



Overall View



14PY-Z(35□ 0.9°)

2024/02/28

Size

Model	size "L" [mm]	size "L" [Inch]
14PY-Z2**	22.0	0.87
14PY-Z0**	26.0	1.02

Wiring Diagram

PHASE	A	A COM	A/	B	B COM	B/
PIN NO.	4	5	6	3	2	1

Specifications

Model	Outer Diameter [mm]	Step Angle [°]	Drive Sequence	Rated Current [A]	Resistance [ohms]	Holding Torque [mN · m]
14PY-Z047U	35.0	0.900	UNI-POLAR	0.80	2.40	40
14PY-Z064U	35.0	0.900	UNI-POLAR	0.40	9.00	40
14PY-Z247U	35.0	0.900	UNI-POLAR	0.80	1.90	22
14PY-Z264U	35.0	0.900	UNI-POLAR	0.40	7.00	22
14PY-Z047B	35.0	0.900	BI-POLAR	0.60	4.80	55
14PY-Z247B	35.0	0.900	BI-POLAR	0.60	3.80	35

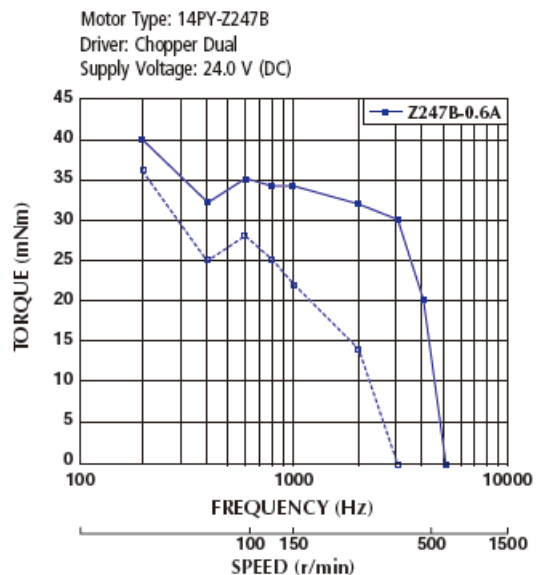
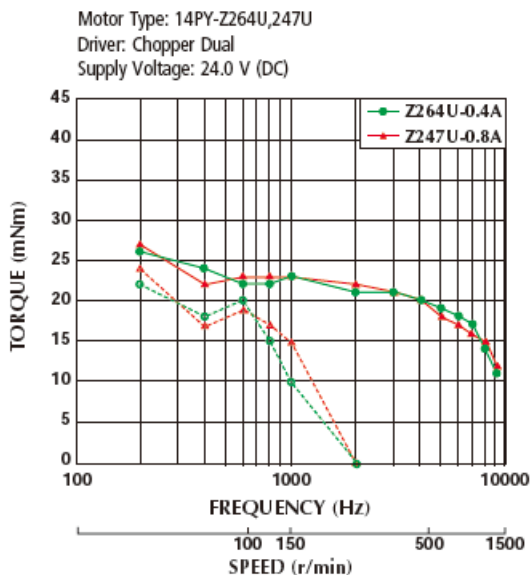
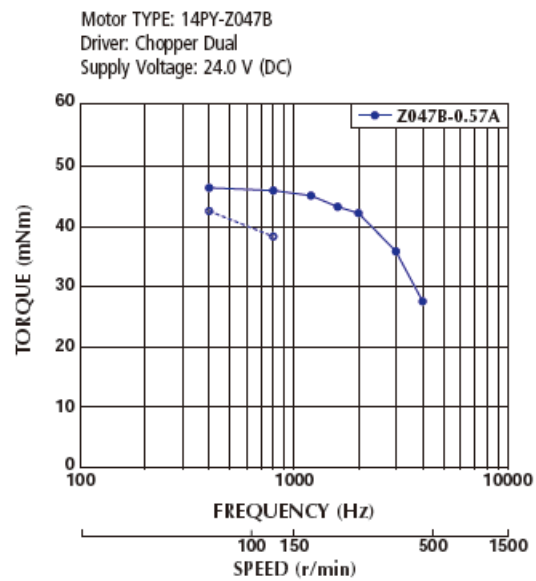
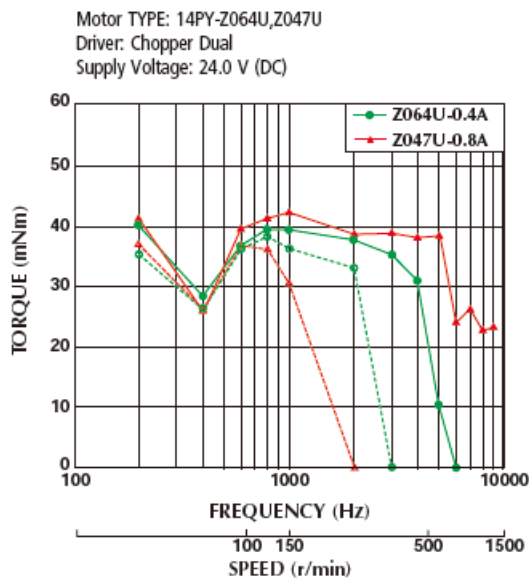
Model	Inductance [mH]	Rotor Inertia [g · cm ²]	Detent Torque [mN · m]	Mass [g]
14PY-Z047U	2.4	8.0	2.0	120
14PY-Z064U	9.3	8.0	2.0	120
14PY-Z247U	1.2	5.0	1.8	105

14PY-Z(35□ 0.9°)

2024/02/28

14PY-Z264U	4.6	5.0	1.8	105
14PY-Z047B	9.3	8.0	2.0	120
14PY-Z247B	4.6	5.0	1.8	105

Torque/Speed Characteristics



14PY-Z(35□ 0.9°)

2024/02/28

Case Studies

We can customize to meet your various requests! 【Stepping motors】