

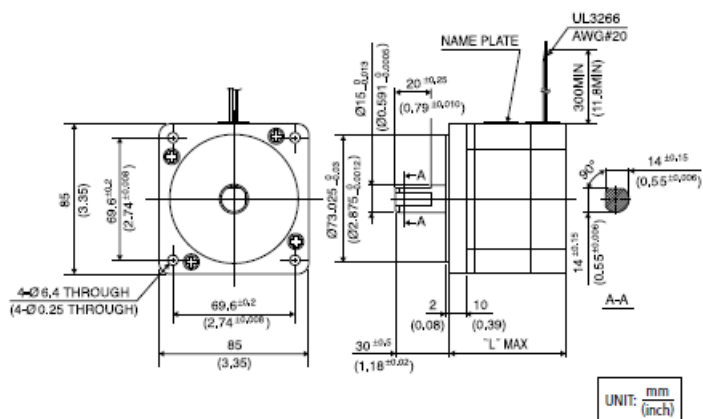
34KM-K(85□ 1.8°)

2024/02/28

Appearance



Overall View



Size

| | |
|--|----------|
| | size "L" |
|--|----------|

34KM-K(85□ 1.8°)

2024/02/28

| Model | [mm] | [Inch] |
|-----------|-------|--------|
| 34KM-K0** | 68.0 | 2.68 |
| 34KM-K1** | 96.0 | 3.78 |
| 34KM-K2** | 124.0 | 4.88 |

Wiring Diagram

| PHASE | A | A COM | A/ | B | B COM | B/ |
|----------------|-----|-------|--------|------|-------|--------|
| Leadwire color | RED | BLACK | YELLOW | BLUE | WHITE | ORANGE |

Specifications

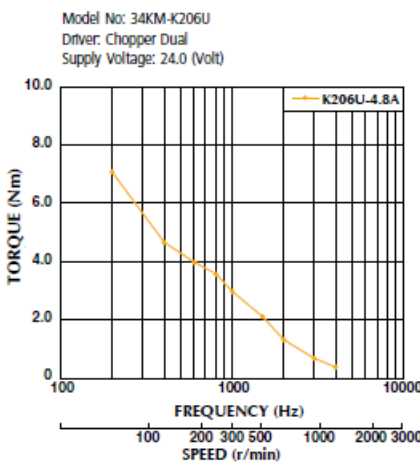
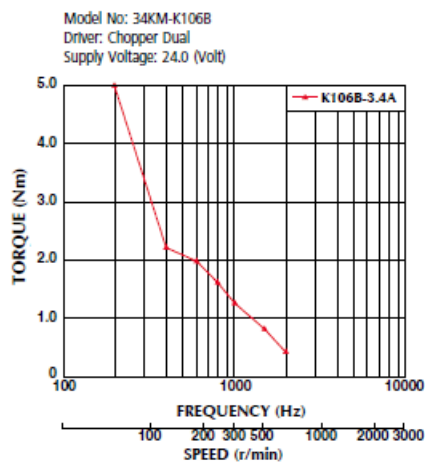
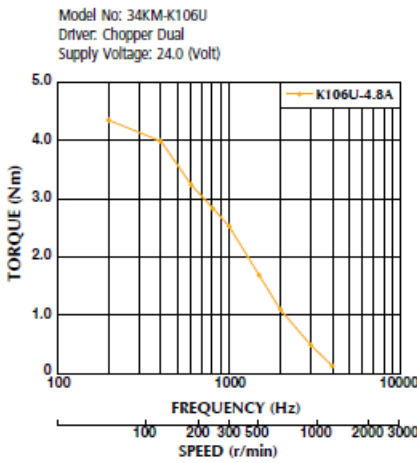
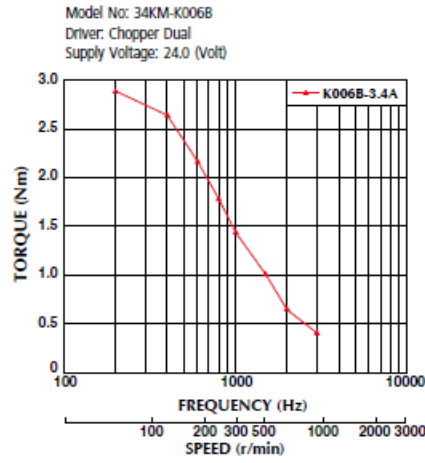
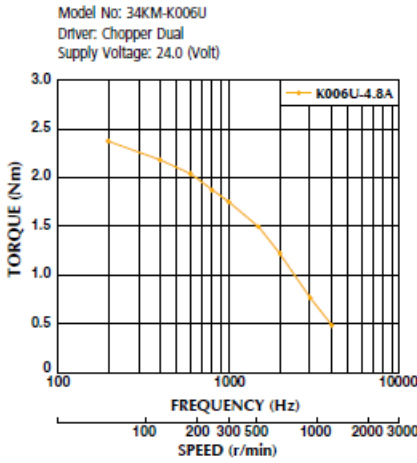
| Model | Outer Diameter [mm] | Step Angle [°] | Drive Sequence | Rated Current [A] | Resistance [ohms] | Holding Torque [mN · m] |
|------------|------------------------|-------------------|----------------|----------------------|----------------------|----------------------------|
| 34KM-K006U | 85.0 | 1.800 | UNI-POLAR | 4.80 | 0.45 | 2500 |
| 34KM-K106U | 85.0 | 1.800 | UNI-POLAR | 4.80 | 0.65 | 4800 |
| 34KM-K206U | 85.0 | 1.800 | UNI-POLAR | 4.80 | 0.85 | 6700 |
| 34KM-K006B | 85.0 | 1.800 | BI-POLAR | 3.40 | 0.90 | 3300 |
| 34KM-K106B | 85.0 | 1.800 | BI-POLAR | 3.40 | 1.30 | 6400 |
| 34KM-K206B | 85.0 | 1.800 | BI-POLAR | 3.40 | 1.70 | 9200 |

| Model | Inductance [mH] | Rotor Inertia [g · cm ²] | Detent Torque [mN · m] | Mass [g] |
|------------|--------------------|---|---------------------------|-------------|
| 34KM-K006U | 1.5 | 1200.0 | 130.0 | 1800 |
| 34KM-K106U | 3.0 | 2400.0 | 240.0 | 2900 |
| 34KM-K206U | 4.4 | 3700.0 | 340.0 | 4000 |
| 34KM-K006B | 6.4 | 1200.0 | 130.0 | 1800 |
| 34KM-K106B | 12.8 | 2400.0 | 240.0 | 2900 |
| 34KM-K206B | 18.0 | 3700.0 | 340.0 | 4000 |

34KM-K(85□ 1.8°)

2024/02/28

Torque/Speed Characteristics



— : PULL OUT

34KM-K(85□ 1.8°)

2024/02/28

Case Studies

We can customize to meet your various requests! [Stepping motors]