

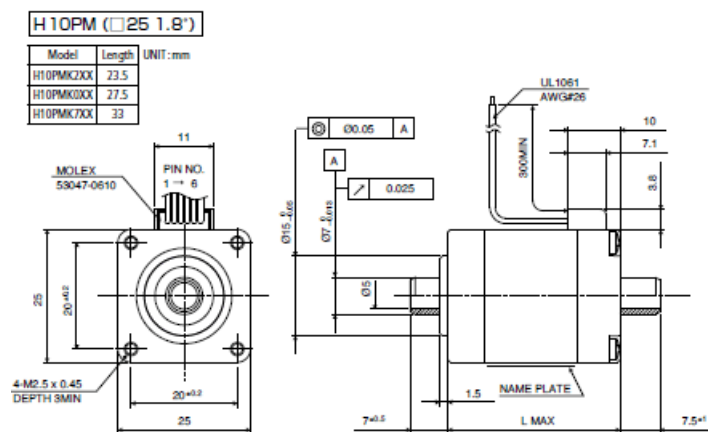
H10PM-K(25□ 1.8°)

2024/02/28

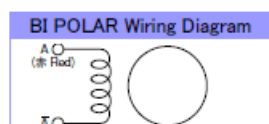
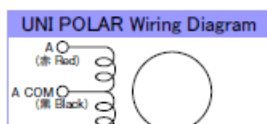
Appearance



Overall View



Wiring Diagram Image



H10PM-K(25□ 1.8°)

2024/02/28

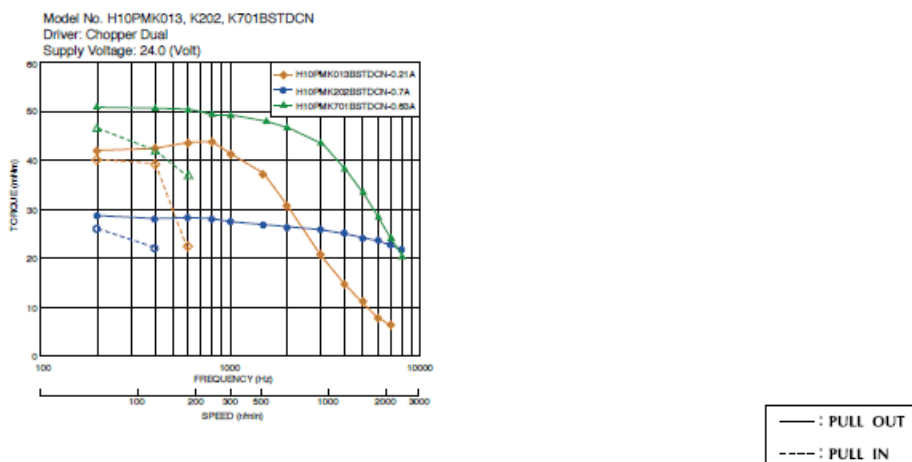


Specifications

Model	Outer Diameter [mm]	Step Angle [°]	Drive Sequence	Rated Current [A]	Resistance [ohms]	Holding Torque [mN · m]
H10PMK202BSTDCN	25.0	1.800	BI-POLAR	0.70	3.80	33
H10PMK013BSTDCN	25.0	1.800	BI-POLAR	0.21	47.00	49
H10PMK701BSTDCN	25.0	1.800	BI-POLAR	0.63	5.80	56

Model	Inductance [mH]	Rotor Inertia [g · cm ²]	Mass [g]
H10PMK202BSTDCN	2.0	2.0	55
H10PMK013BSTDCN	32.0	3.0	70
H10PMK701BSTDCN	5.4	5.0	90

Torque/Speed Characteristics



H10PM-K(25□ 1.8°)

2024/02/28

Case Studies

We can customize to meet your various requests! [Stepping motors]