

L17PM

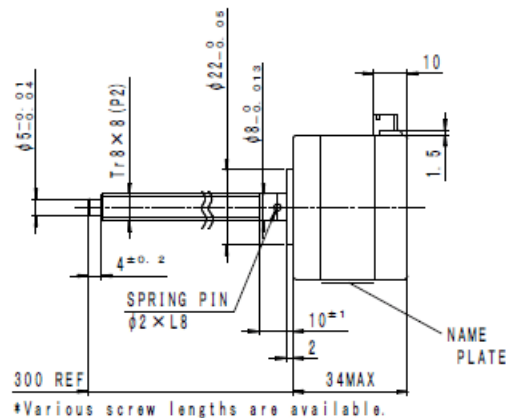
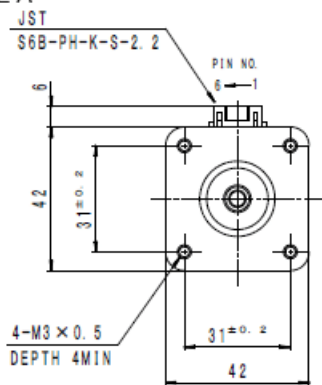
2024/02/28

Appearance

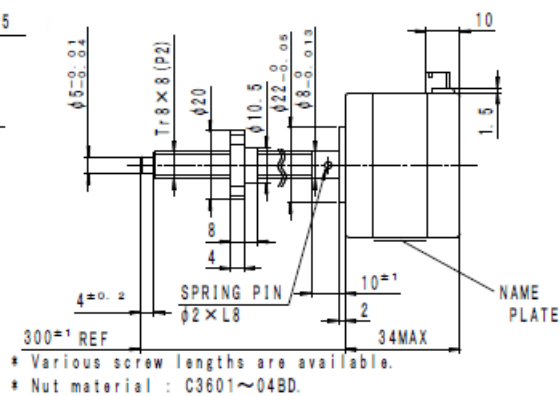
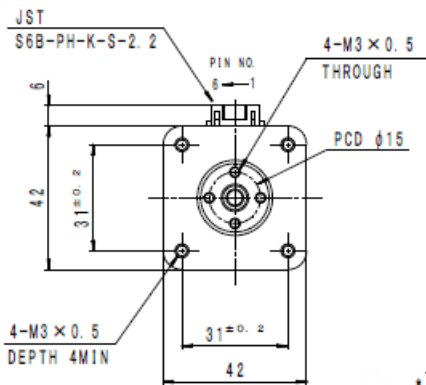


Overall View

TYPE A



TYPE B (with Nut)



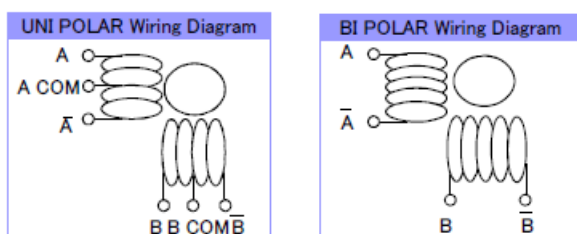
L17PM

2024/02/28

Wiring Diagram

PHASE	A	A COM	A/	B	B COM	B/
PIN NO.	4	5	6	3	2	1

Wiring Diagram Image



Specifications

Model	Outer Diameter [mm]	Step Angle [°]	Drive Sequence	Rated Current [A]	Resistance [ohms]	Holding Torque [mN · m]
L17PMK049U	42.0	1.800	UNI-POLAR	1.00	3.20	200
L17PMK049B	42.0	1.800	BI-POLAR	0.70	6.40	270

Model	Inductance [mH]
L17PMK049U	3.2
L17PMK049B	12.8

Lead Screw Specifications

L17PM

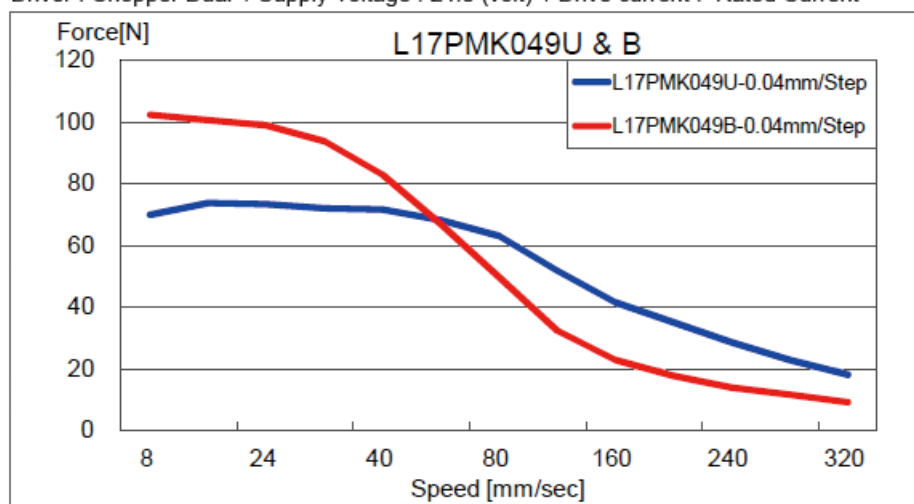
2024/02/28

Model	Length [mm]	Linear Travel / Step [mm]	Lead [mm]
L17PMK049U	300 REF.	0.04	8.0
L17PMK049B	300 REF.	0.04	8.0

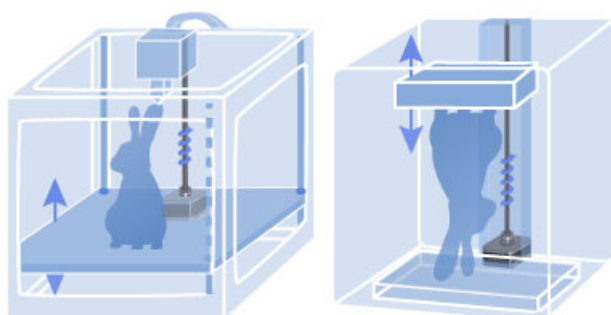
*Various screw lengths are available.

Properties of Thrust-force

Driver : Chopper Dual / Supply Voltage : 24.0 (volt) / Drive current : Rated Current



Applications



3D Printers: Suitable for Z-axis

Case Studies

We can customize to meet your various requests! [Stepping motors]