

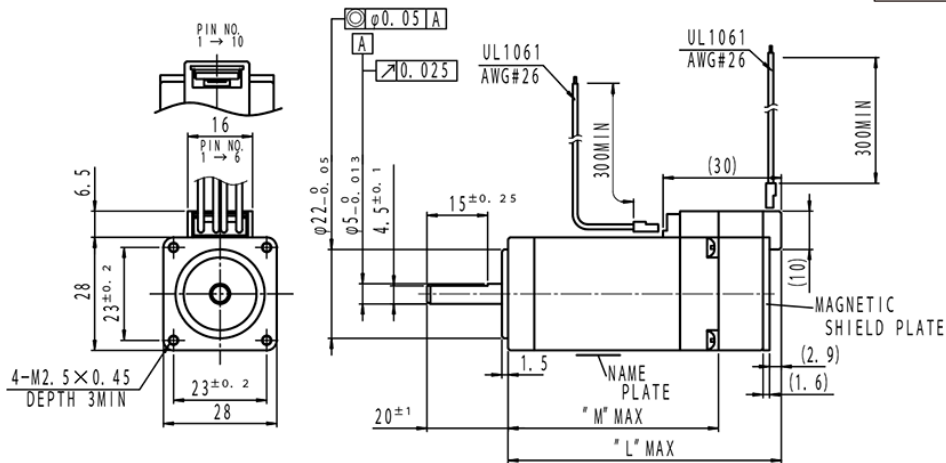
M11PM(□28)

2024/02/28

Appearance



Overall View



MODEL	"M"	"L"
M11PMK043x	32.5	49
M11PMK142x	41	57
M11PMK241x	52	68

FOR MOTOR

PIN NO.	L/W COLOR	PHASE
1	BLU	B
2	—	—
3	ORG	\bar{B}
4	RED	A
5	—	—
6	YEL	\bar{A}

FOR ENCODER

PIN NO.	L/W COLOR	SIGNAL
1	RED	Vcc
2	PRL	RS485-
3	GRY	RS485+
4	WHT	PA
5	GRN	NA
6	BRN	PB
7	YEL	NB
8	BLU	PZ
9	ORG	NZ
10	BLK	GND

Wiring Diagram

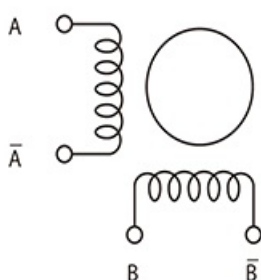
M11PM(□28)

2024/02/28

PHASE	A	A COM	A/	B	B COM	B/
PIN NO.	3	-	1	4	-	6

Wiring Diagram Image

BI POLAR Wiring Connection Diagram



Specifications

Model	Outer Diameter [mm]	Length [mm]	Step Angle [°]	Drive Sequence	Rated Current [A]	Resistance [ohms]
M11PMK043CMB03	28.0	49.0	1.800	BI-POLAR	1.50	1.30
M11PMK142CMB03	28.0	57.0	1.800	BI-POLAR	1.50	1.50
M11PMK241CMB03	28.0	68.0	1.800	BI-POLAR	1.50	1.70

Model	Holding Torque [mN · m]	Inductance [mH]	Rotor Inertia [g · cm ²]	Detent Torque [mN · m]	Encoder Resolution [CPR]	Mass [g]	Maximum turn count
M11PMK043CMB03	100	1.2	8.0	4.4	4000	170	200
M11PMK142CMB03	145	1.2	13.0	5.4	4000	200	200
M11PMK241CMB03	200	1.8	16.0	8.0	4000	270	200

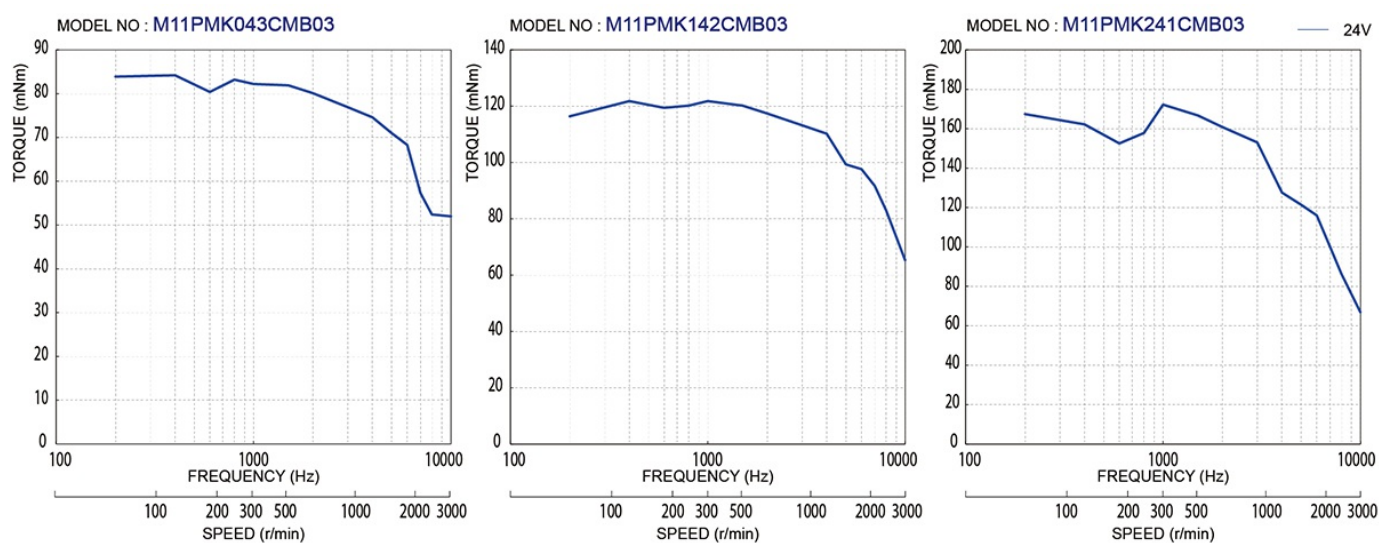
Encoder Specifications

M11PM(□28)

2024/02/28

Item	specifications
ENCODER TYPE	INCREMENTAL

Torque/Speed Characteristics



Case Studies

We can customize to meet your various requests! [Stepping motors]

M11PM(□28)

2024/02/28