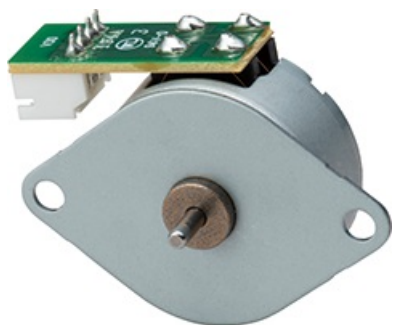


M25SP-5N

2024/01/16

Appearance



Reference Characteristics

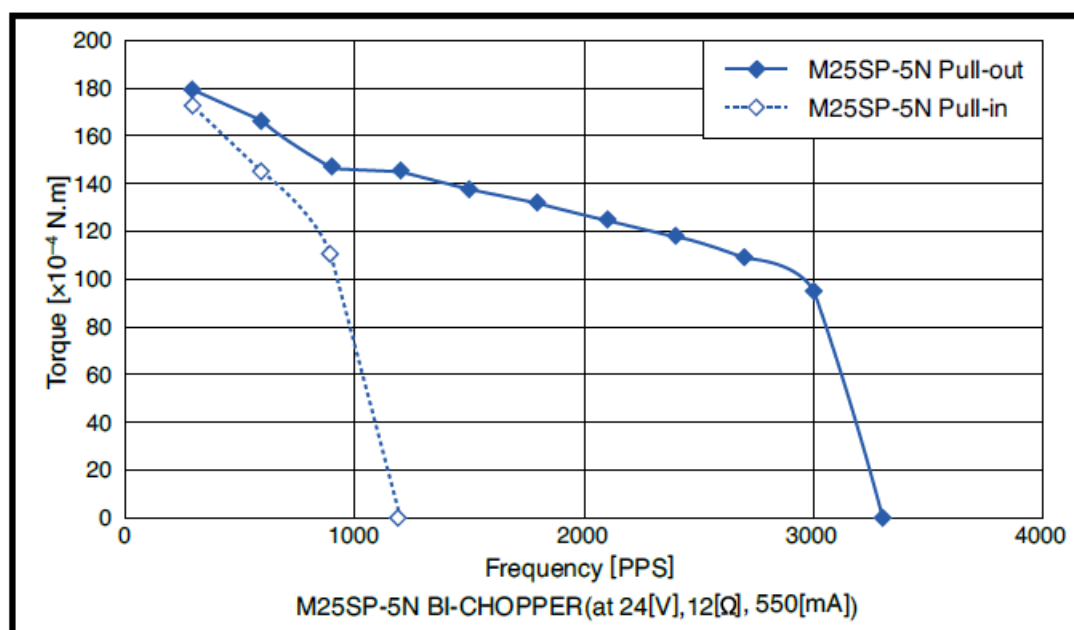
Outer Diameter [mm]	25.0
Length [mm]	12.00
Step No.	48
Magnet Material	Neodymium bonded magnet
Insulation Resistance (M) [Ω/min]	100
Dielectric Strength (AC) [V/min]	500
Step Angle [deg]	7.50
Drive Method	2-2 phase
Class of Insulation	CLASS E
Operating Temp. lower limit [deg.C]	0
Operating Temp. upper limit [deg.C]	50
Storage Temp. lower limit [deg.C]	-20
Storage Temp. upper limit [deg.C]	55

M25SP-5N

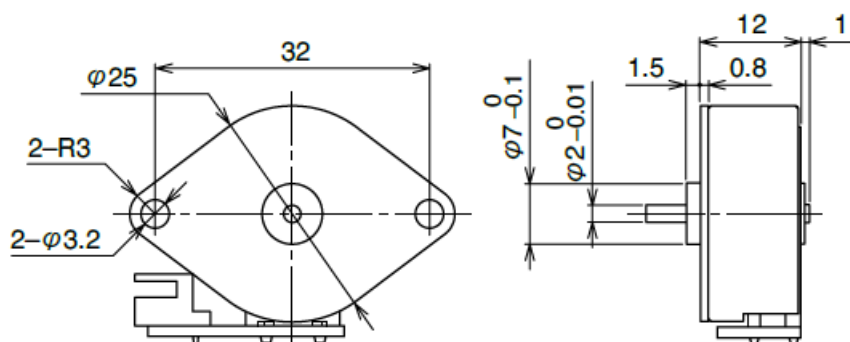
2024/01/16

upper limit [deg.C]	70
Operating Hum. RH lower limit [%]	5
Operating Hum. RH upper limit [%]	90

Torque Characteristic



Overall View



ミネベアミツミ株式会社

Copyright©MinebeaMitsumi Inc. All right reserved.

Case Studies

We can customize to meet your various requests! [Stepping motors]