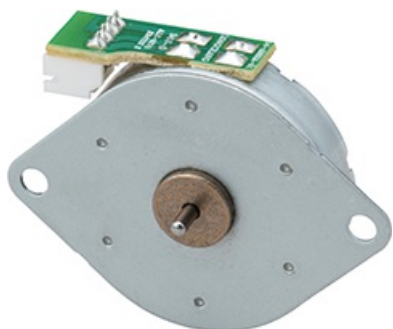


## M35SP-14NK(2)

2024/02/28

## Appearance



## Reference Characteristics

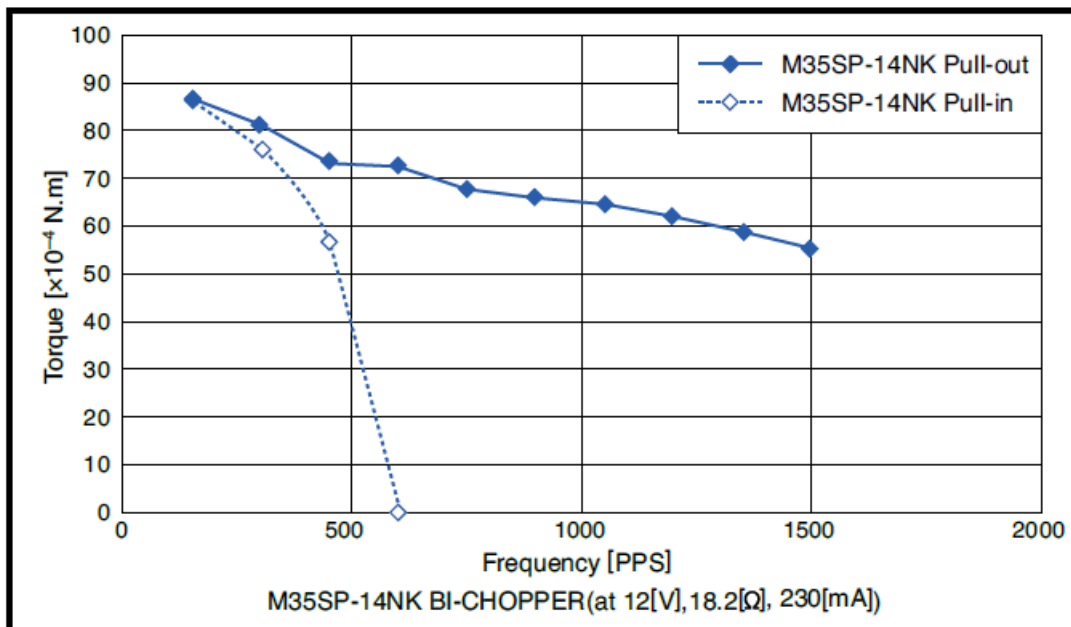
Outer Diameter [mm]	35.0
Length [mm]	8.70
Step No.	48
Magnet Material	Neodymium bonded magnet
Insulation Resistance (M) [Ω/min]	100
Dielectric Strength (AC) [V/min]	500
Step Angle [deg]	7.50
Drive Method	2-2 phase
Class of Insulation	CLASS E
Operating Temp. lower limit [deg.C]	0
Operating Temp. upper limit [deg.C]	50
Storage Temp. lower limit [deg.C]	-20
Storage Temp.	

# M35SP-14NK(2)

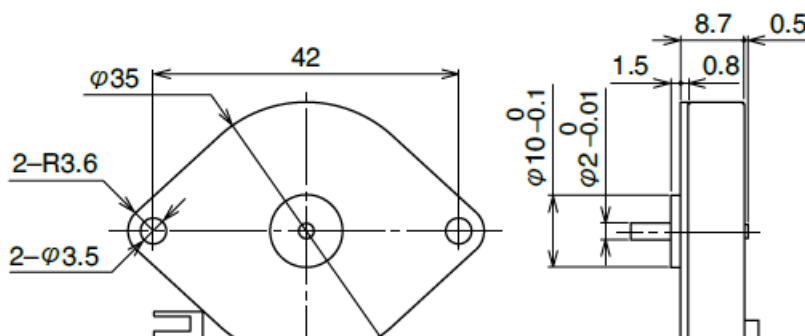
2024/02/28

upper limit [deg.C]	70
Operating Hum. RH lower limit [%]	5
Operating Hum. RH upper limit [%]	90

## Torque Characteristic



## Overall View



ミネベアミツミ株式会社

Copyright©MinebeaMitsumi Inc. All right reserved.

## M35SP-14NK(2)

2024/02/28



# Case Studies

**We can customize to meet your various requests! [Stepping motors]**