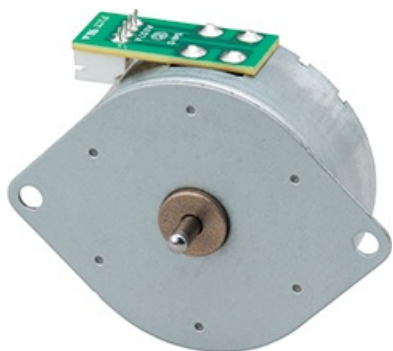


M42SP-12K

2024/02/28

Appearance



Reference Characteristics

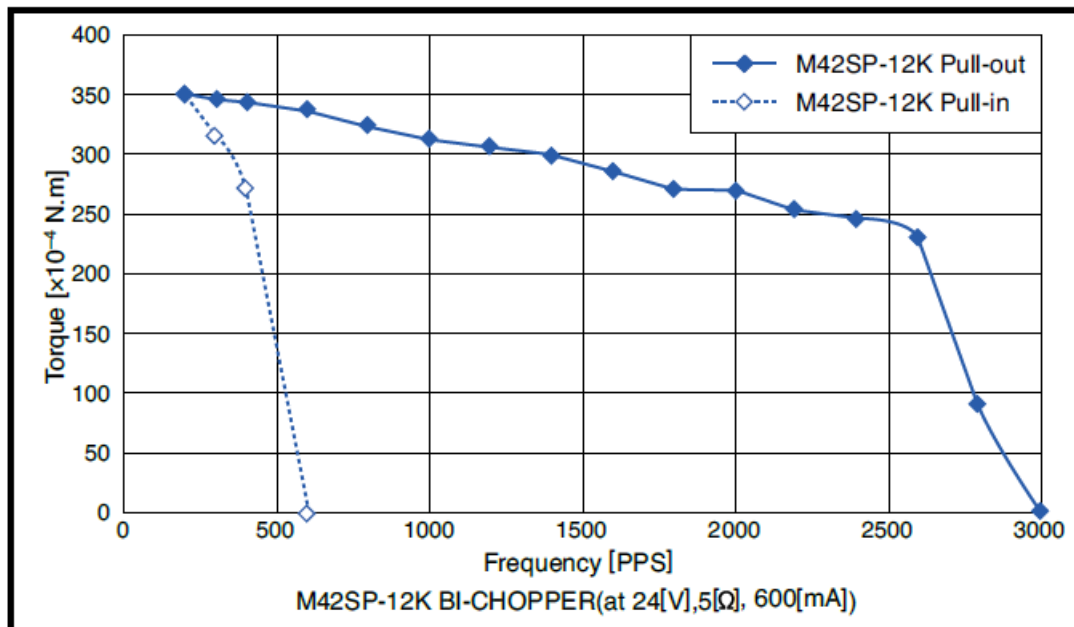
Outer Diameter [mm]	42.0
Length [mm]	17.70
Step No.	48
Magnet Material	Polar anisotropic ferrite sintered magnet
Insulation Resistance (M) [Ω/min]	100
Dielectric Strength (AC) [V/min]	500
Step Angle [deg]	7.50
Drive Method	2-2 phase
Class of Insulation	CLASS E
Operating Temp. lower limit [deg.C]	0
Operating Temp. upper limit [deg.C]	50
Storage Temp. lower limit [deg.C]	-20
Storage Temp.	

M42SP-12K

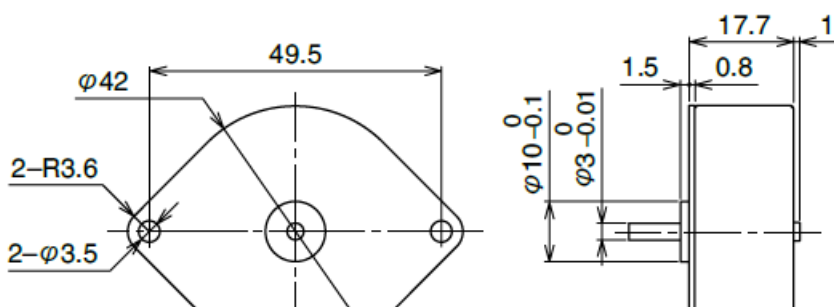
2024/02/28

Storage Temp. upper limit [deg.C]	70
Operating Hum. RH lower limit [%]	5
Operating Hum. RH upper limit [%]	90

Torque Characteristic



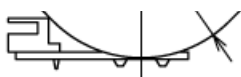
Overall View



ミネベアミツミ株式会社

M42SP-12K

2024/02/28



Case Studies

We can customize to meet your various requests! [Stepping motors]