

PG20L-C20

2024/02/28

Appearance



Reference Characteristics

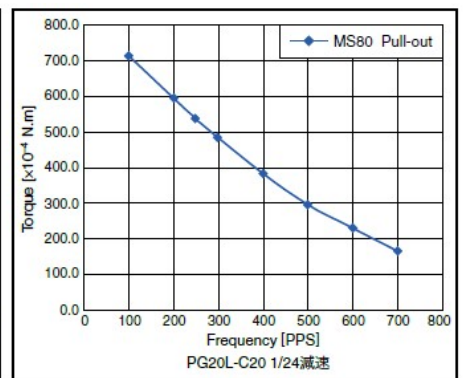
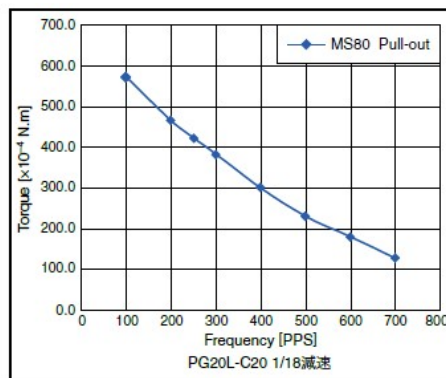
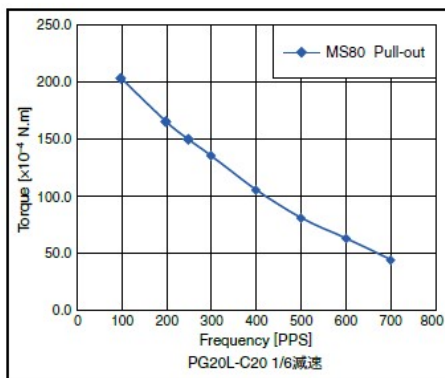
Outer Diameter [mm]	20.0
Length [mm]	27.40
Magnet Material	Nd-Fe-B bonded magnet (MS80)
Insulation Resistance (M) [Ω /min]	100
Dielectric Strength (AC) [V/min]	500
Drive Method	2-2 phase
Resistance [Ω]	300.0
Class of Insulation	Class E (Except lead wire)
Operating Temp. lower limit [deg.C]	0
Operating Temp. upper limit [deg.C]	65
Storage Temp. lower limit [deg.C]	-30
Storage Temp.	

PG20L-C20

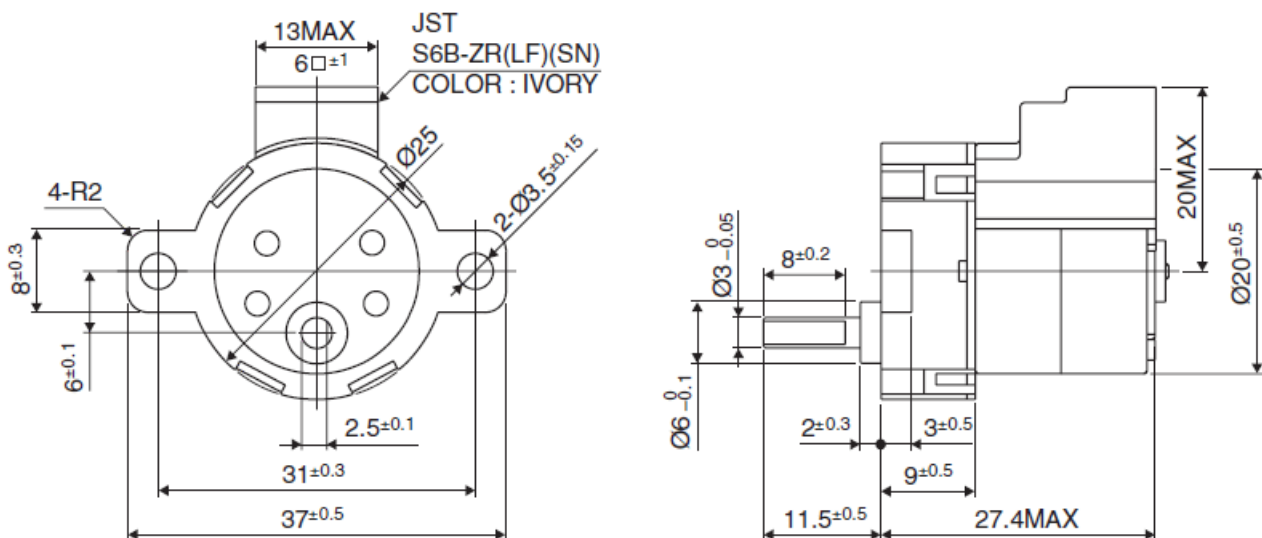
2024/02/28

upper limit [deg.C]	80
Operating Hum. RH lower limit [%]	20
Operating Hum. RH upper limit [%]	90

Torque Characteristic



Overall View



PG20L-C20

2024/02/28

Specifications

Drive Circuit	Drive Voltage [V]	Drive IC	Operation Frequency	Max.Load Torque	Gear Ratio [1:X]	Step Angle [°]
UNIPOLAR CONST. VOLT.	18	2SC3346	250pps Continuous run	Continuous 19.6mNm (Reference) Instantaneous 98mNm (Reference)	1:6	3.000
UNIPOLAR CONST. VOLT.	18	2SC3346	250pps Continuous run	Continuous 19.6mNm (Reference) Instantaneous 98mNm (Reference)	1:18	1.000
UNIPOLAR CONST. VOLT.	18	2SC3346	250pps Continuous run	Continuous 19.6mNm (Reference) Instantaneous 98mNm (Reference)	1:24	0.750

Applications

Home electric appliances: Air-conditioners

OA Equipment: Printers / Photocopiers

Power Tools: Drills / Drivers

Case Studies

PG20L-C20

2024/02/28

We can customize to meet your various requests! [Stepping motors]