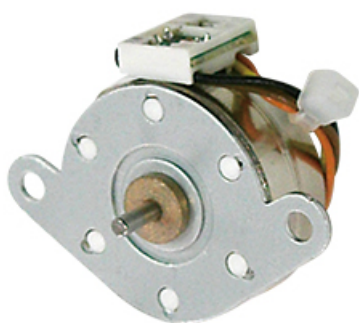


PM25S-048

2024/02/28

Appearance



Reference Characteristics

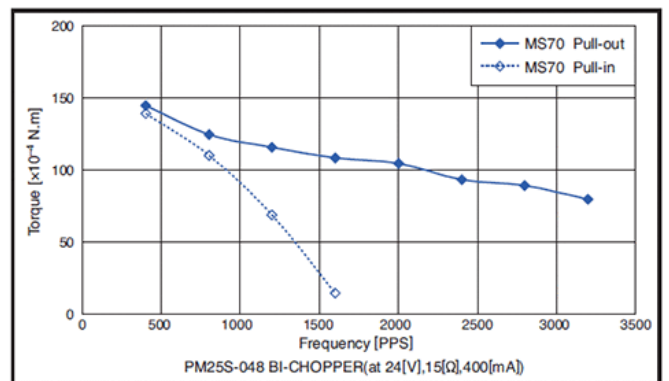
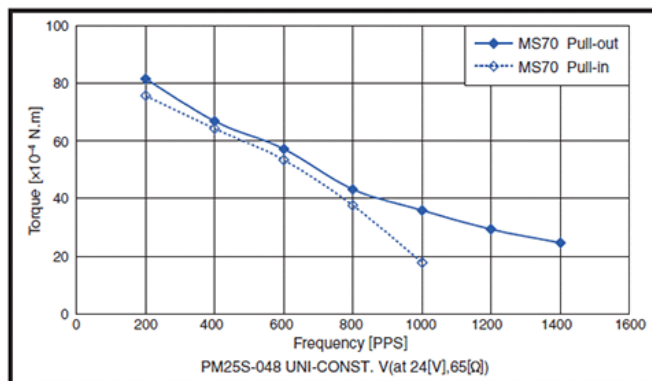
Outer Diameter [mm]	25.0
Length [mm]	12.50
Step No.	48
Magnet Material	Nd-Fe-B bonded magnet(MS70)
Insulation Resistance (M) [Ω/min]	100
Dielectric Strength (AC) [V/min]	500
Step Angle [deg]	7.50
Drive Method	2-2 phase
Class of Insulation	CLASS E
Operating Temp. lower limit [deg.C]	-10
Operating Temp. upper limit [deg.C]	50
Storage Temp. lower limit [deg.C]	-30
Storage Temp.	

PM25S-048

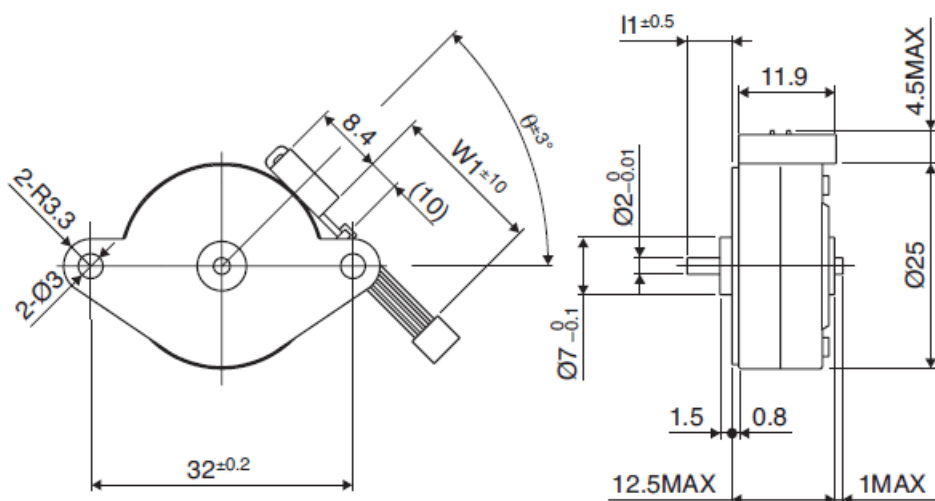
2024/02/28

Storage Temp. upper limit [deg.C]	80
Operating Hum. RH lower limit [%]	20
Operating Hum. RH upper limit [%]	90

Torque Characteristic



Overall View



PM25S-048

2024/02/28

Specifications

Drive Circuit	Drive Voltage [V]	Current/Phase [mA]	Coil Resistance/Phase [Ω]	Drive IC
UNIPOLAR CONST. VOLT.	24		65.0	2SC3346
BIPOLAR CHOPPER	24	400.0	15.0	BD63877EFV

Applications

OA Equipment: Printers / Scanners

Automotive: Meters

Home electric appliances: Gas range

Home automation appliances: Sewing machines

Case Studies

We can customize to meet your various requests! [Stepping motors]