

PM35S-048

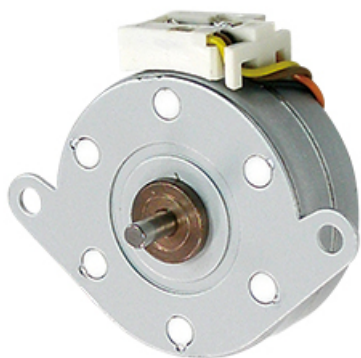
Maintenance Products

2024/02/28

Alternative

PM35S-N48

Appearance



Reference Characteristics

Outer Diameter [mm]	35.0
Length [mm]	15.50
Step No.	48
Magnet Material	Ferrite plastic magnet(MSPL) Polar anisotropy ferrite sintered magnet(MS50) Nd-Fe-B bonded magnet(MS70)
Insulation Resistance (M) [Ω/min]	100
Dielectric Strength (AC) [V/min]	500
Step Angle [deg]	7.50
Drive Method	2-2 phase

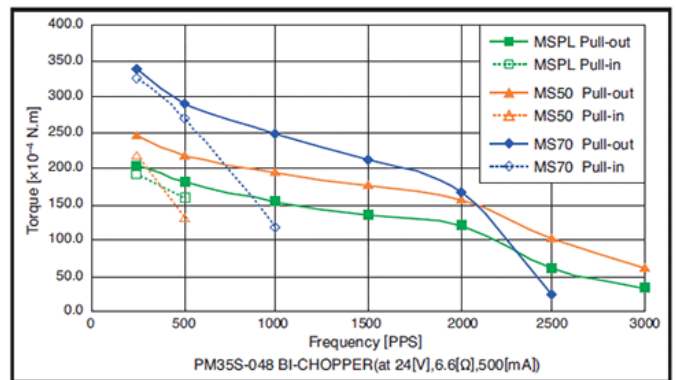
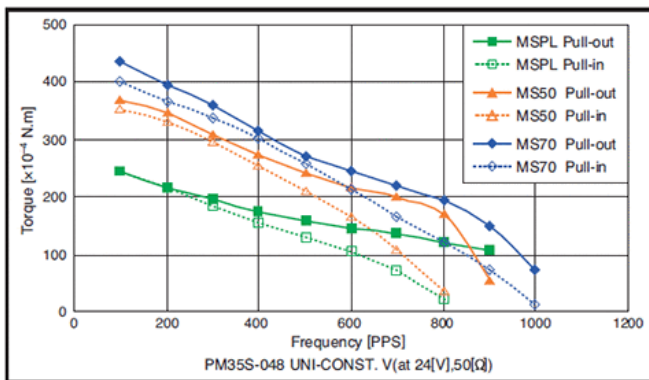
PM35S-048

Maintenance Products

2024/02/28

Class of Insulation	CLASS E
Operating Temp. lower limit [deg.C]	-10
Operating Temp. upper limit [deg.C]	50
Storage Temp. lower limit [deg.C]	-30
Storage Temp. upper limit [deg.C]	80
Operating Hum. RH lower limit [%]	20
Operating Hum. RH upper limit [%]	90

Torque Characteristic



Overall View



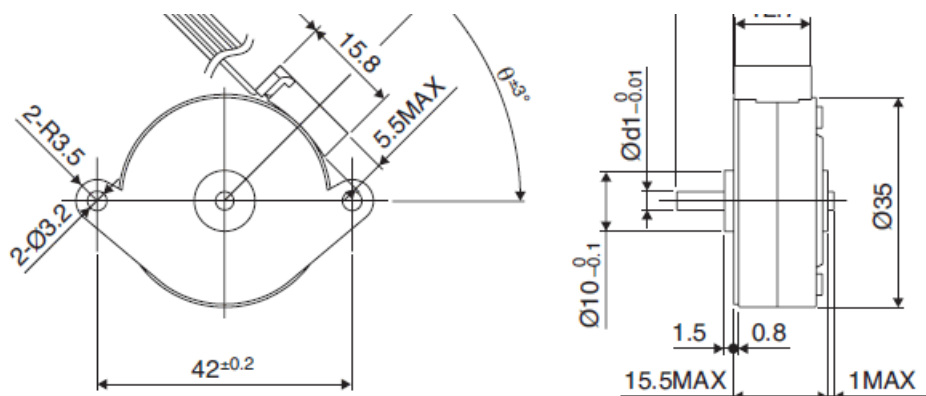
ミネベアミツミ株式会社

Copyright©MinebeaMitsumi Inc. All right reserved.

PM35S-048

Maintenance Products

2024/02/28

**Specifications**

Drive Circuit	Drive Voltage [V]	Current/Phase [mA]	Coil Resistance/Phase [Ω]	Drive IC
UNIPOLAR CONST. VOLT.	24		50.0	2SC3346
BIPOLAR CHOPPER	24	500.0	6.6	BD63877EFV

Applications

OA Equipment: Printers / Scanners

Industrial equipment: Flow control valves

Automotive: Motors / Optic axis control device

Home automation appliances: Sewing machines

ミネベアミツミ株式会社

Copyright©MinebeaMitsumi Inc. All right reserved.

PM35S-048

Maintenance Products

2024/02/28

Case Studies

We can customize to meet your various requests! [Stepping motors]