

PM35S-N48

2024/02/28

Appearance



Reference Characteristics

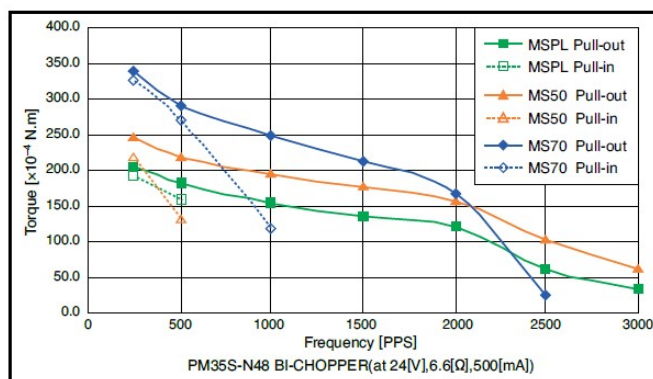
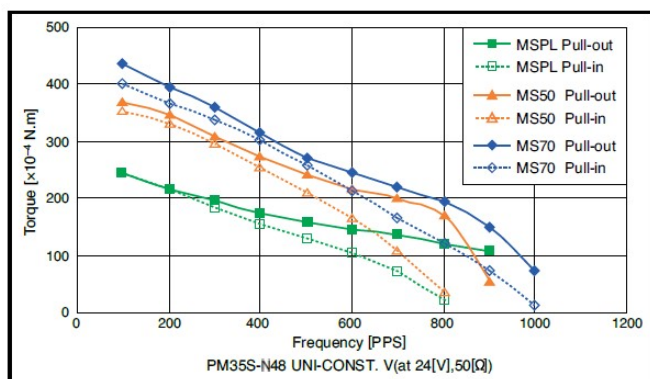
Outer Diameter [mm]	35.0
Length [mm]	15.50
Step No.	48
Magnet Material	Ferrite plastic magnet(MSPL) Polar anisotropy ferrite sintered magnet(MS50) Nd-Fe-B bonded magnet(MS70)
Insulation Resistance (M) [Ω/min]	100
Dielectric Strength (AC) [V/min]	500
Step Angle [deg]	7.50
Drive Method	2-2 phase
Class of Insulation	CLASS E
Operating Temp. lower limit [deg.C]	-10
Operating Temp. upper limit [deg.C]	50
Storage Temp.	

PM35S-N48

2024/02/28

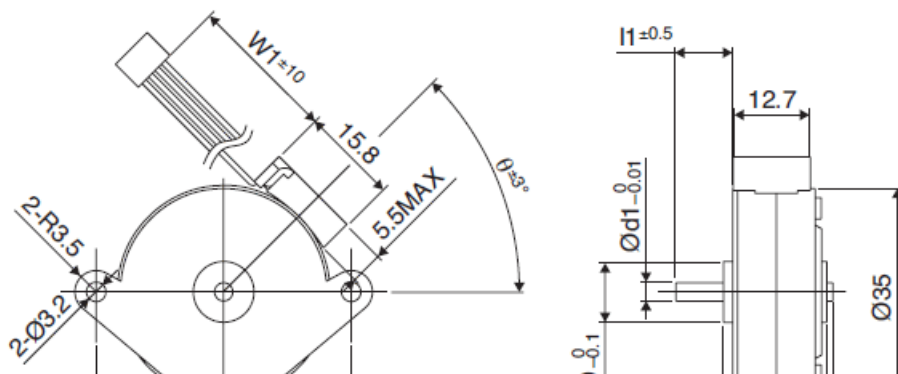
lower limit [deg.C]	-30
Storage Temp. upper limit [deg.C]	80
Operating Hum. RH lower limit [%]	20
Operating Hum. RH upper limit [%]	90

Torque Characteristic



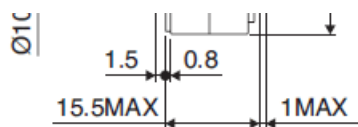
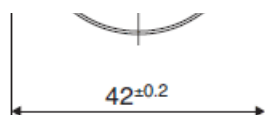
このトルク値は一般参考値です。ご使用の際には放熱条件やデューティにより温度上昇が異なりますので、実機での熱条件を考慮してモータを選定下さい。
 These torque values are reference only. Heat radiation conditions and temperature rise effect by duty are different on each equipment, therefore please select motors after considering the actual equipment.

Overall View



PM35S-N48

2024/02/28



Specifications

Drive Circuit	Drive Voltage [V]	Current/Phase [mA]	Coil Resistance/Phase [Ω]	Drive IC
UNIPOLAR CONST. VOLT.	24		50.0	2SC3346
BIPOLAR CHOPPER	24	500.0	6.6	BD63877EFV

Applications

OA Equipment: Printers / Scanners

Industrial equipment: Flow control valves

Automotive: Motors / Optic axis control device

Home automation appliances: Sewing machines

Case Studies

We can customize to meet your various requests! [Stepping motors]

PM35S-N48

2024/02/28