

PM51L-F48

2024/02/28

Appearance



Reference Characteristics

Outer Diameter [mm]	51.0
Length [mm]	23.10
Step No.	48
Magnet Material	Polar anisotropy ferrite sintered magnet (MS50)
Insulation Resistance (M) [Ω/min]	100
Dielectric Strength (AC) [V/min]	500
Step Angle [deg]	7.50
Drive Method	2-2 phase
Class of Insulation	CLASS E
Operating Temp. lower limit [deg.C]	-10
Operating Temp. upper limit [deg.C]	50
Storage Temp. lower limit [deg.C]	-30

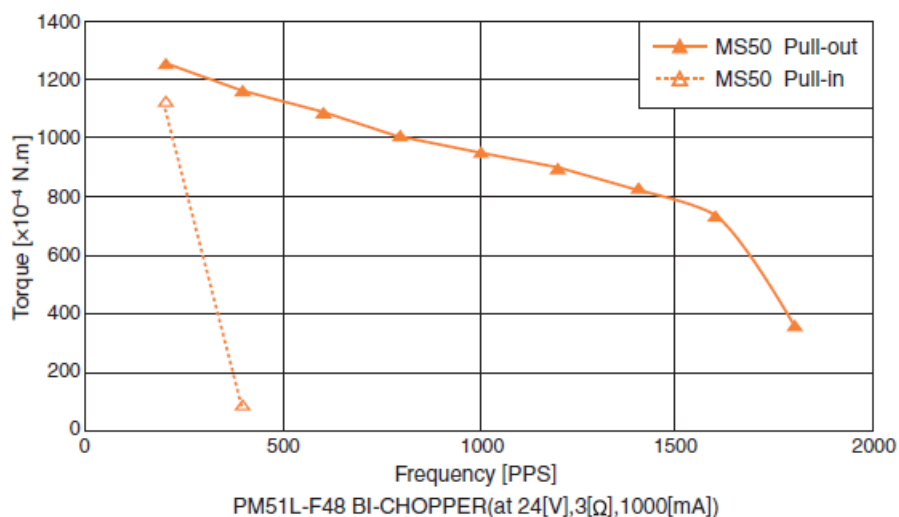
PM51L-F48

2024/02/28

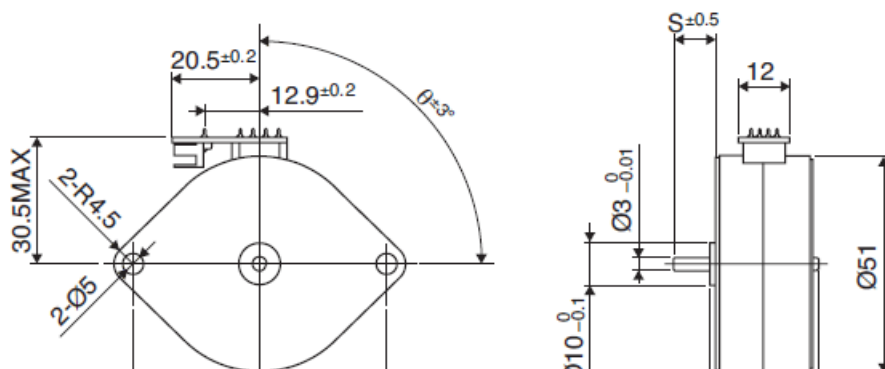
Storage Temp. upper limit [deg.C]	80
Operating Hum. RH lower limit [%]	20
Operating Hum. RH upper limit [%]	90

*Bipolar only. Unipolar is not available.

Torque Characteristic



Overall View

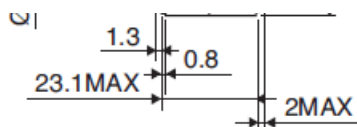
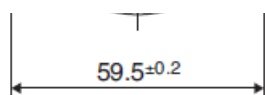


ミネベアミツミ株式会社

Copyright©MinebeaMitsumi Inc. All right reserved.

PM51L-F48

2024/02/28



Specifications

Drive Circuit	Drive Voltage [V]	Current/Phase [mA]	Coil Resistance/Phase [Ω]	Drive IC
BIPOLAR CHOPPER	24	1000.0	3.0	BD63877EFV

Applications

OA Equipment: Printers

Case Studies

We can customize to meet your various requests! [Stepping motors]